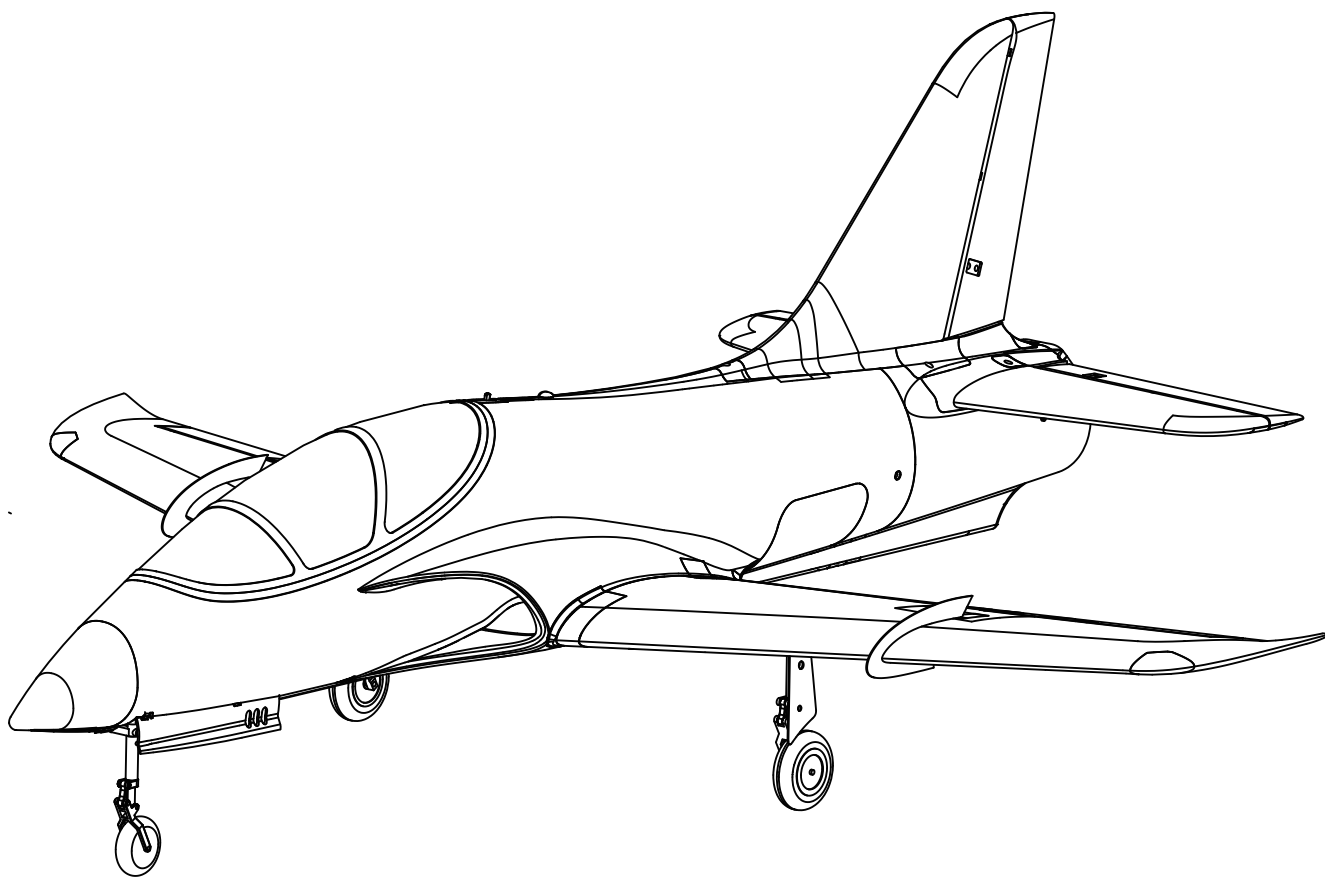




90MM AVANTI



Instruction Manual
Bedienungsanleitung
Manuel d'utilisation
操作手册

MAN-G0287

DETAILED
高还原度

RIGID
高强度EPO泡沫

STABLE
高安定性

FMSMODEL.COM

WARNING

WARNING: Read the ENTIRE instruction manual to become familiar with the features of the product before operating. Failure to operate the product correctly can result in damage to the product, personal property and cause serious injury.

This is a sophisticated hobby product and NOT a toy. It must be operated with caution and common sense and failure to do so could result in injury or damage to the product or other property. This product is not intended for use by children without direct adult supervision.

This manual contains instructions for safety operation and maintenance. It is essential to read and follow all the instructions and warnings in the manual prior to assembly, setup or use, in order to operate and avoid damage or serious injury.

Safety precautions and warnings

As the user of this product, you are solely responsible for operating in a manner that does not endanger yourself and others or result in damage to the product or the property of others. This model is controlled by a radio signal subject to interference from many sources outside your control. This interference can cause momentary loss of control so it is advisable to always keep a safe distance in all directions around your model, as this margin will help avoid collisions or injury.

Age Recommendation: Not for children under 14 years. This is not a toy.

- Never operate your model with low transmitter batteries.
- Always operate your model in an open area away from cars, traffic or people.
- Avoid operating your model in the street where injury or damage can occur.
- Never operate the model in populated areas for any reason.
- Carefully follow the directions and warnings for this and any optional support equipment you use (chargers, rechargeable battery packs, etc.)
- Keep all chemicals, small parts and anything electrical out of the reach of children.
- Moisture causes damage to electronics. Avoid water exposure to all equipment not specifically designed and protected for this purpose.
- Never lick or any place of any your model in your mouth as it could cause serious injury or even death.

Safety**Lithium Polymer (Li-Po) Battery Warning**

CAUTION: Always follow the manufacturer's instructions for safe use and disposal of batteries. Fire, property damage, or serious injury can result from the mishandling of Li-Po batteries.

- By handling, charging or using a Li-Po Battery you assume all risks associated with lithium batteries.
 - If at any time the batteries begin to swell or balloon, discontinue use immediately!
 - Always store the batteries at room temperature in a dry area to extend the life of the battery. Always transport or temporarily store the battery in a temperature range of 40-120F. Do not store the battery or model in a car or in direct sunlight. If stored in a hot car, the battery can be damaged or even catch fire.
 - Never use a Ni-Mh Charger to charge Li-Po Batteries. Failure to charge the battery with a Li-Po compatible charger may cause fire resulting in personal injury and property damage.
 - Never discharge Li-Po Cells below 3V.
 - Never leave charging batteries unattended.
 - Never charge damaged batteries.
- Charging the Flight Battery Warning**
- Use a battery charger that is designed to safely charge the Li-Po Battery. Read the charger instructions carefully before use. When charging the battery, make certain the battery is on a heat resistant surface. It is also highly recommended to place the Li-Po Battery inside a fire resistant charging bag readily available at hobby shops or online.

Introduction

90mm EDF Avanti 18th anniversary edition shock launch!

Background:

The FMS Avanti is an aircraft developed jointly by the FMS team and the Sebart team in Italy. Originally designed in Italy and integrated with the design concept of FMS, this Avanti brings together the essence of Chinese and Italian design. With official authorization from Sebart, quality is more guaranteed.

About the model:

Our product concept remains the same, "perfect appearance, excellent performance." Based on this, we require this 90mm EDF Avanti to resemble the full-sized original as closely as possible, while improving on the maneuverability performance and low-speed performance of our previous 90mm EDF jets. To meet these ambitious requirements, the engineers have spent more than a year in research and development.

FMS 90mm EDF features a low stall point, high fault tolerance, and ease of control when turning and circling. It is flexible and precise in the air, easily performing side flight, inverted flight, rolls, spirals, loops and other maneuvers. The rear fuselage can be upgraded to install vector unit (purchased separately), for experienced modelers to challenge themselves super maneuvers such as pirouettes (leaf floating). "With the vector unit and Reflex flight control system, modelers can fly however they want in the sky," the R&D engineer commented after the fourth phase of testing.

The combination of a high-efficiency 90mm EDF 12-blade ducted fan unit, a high-thrust in-runner 3670-KV1950 motor, and a high-quality 120A ESC, paired with the recommended 6S 5000–6000mAh 45C battery, provides unparalleled performance for flight. The throttle response is almost instantaneous, and the sound is immersive. This scale jet combines the smooth flight characteristics of a sport airplane with the agility for incredible aerobatics and high speeds!

Additionally, the Avanti 90mm EDF incorporates the latest structural and assembly techniques, such as the screw-together structure, ball-linked control surfaces and multi-connector system, enabling fast and simple assembly; equipped with electronic retract system with over-current protection mode and CNC machined kneeling metal landing gear, the Avanti effectively resists violent landings; featuring large, wear-resistant tires suitable for takeoff and landing on rough surfaces; four navigation lights are distributed on both wingtips and top and bottom fuselage, with both wingtip and bottom fuselage lights capable of flashing, adding realism and interest to flights against a backdrop of a setting sun.

The 90mmEDF Avanti is the first choice in its class in terms of assembly, take-off, flight and landing, and is ideal for experienced modelers to advance their flight.

Features:

1. Electronic Configuration: High-quality 120A ESC, high-power in-runner 3670 KV1950 motor, high-efficiency 90mm 12-blade ducted fan unit, high-precision metal digital servos.
2. Extremely versatile performance and speed range, enabling leisurely, high-speed, and aerobatic flying, with smooth and effortless takeoff, flight, and landing.
3. Electronic retracts with over-current protection and CNC machined kneeling metal landing gear, effectively resisting harsh landings. Landing gear adding strong adhesion damping silicone oil, more smooth travel, more even cushioning force.
4. Functional flaps significantly increase the aircraft's lift coefficient.
5. Realistic flashing navigation lights (except for the top fuselage light) and turbine-like simulated sound.
6. Two-piece fuselage and main wings for convenient storage and transportation.
7. Latch-type transparent cockpit with realistic instrument panel and pilot figure.
8. Large battery compartment for accommodating batteries of different sizes from various manufacturers.
9. Pre-installed ball-linked control surface for increased throw and precision
10. Screw assembly structure.
11. Environmentally friendly water-based paint.
12. High-strength EPO 34.5 foam.

Kit contents

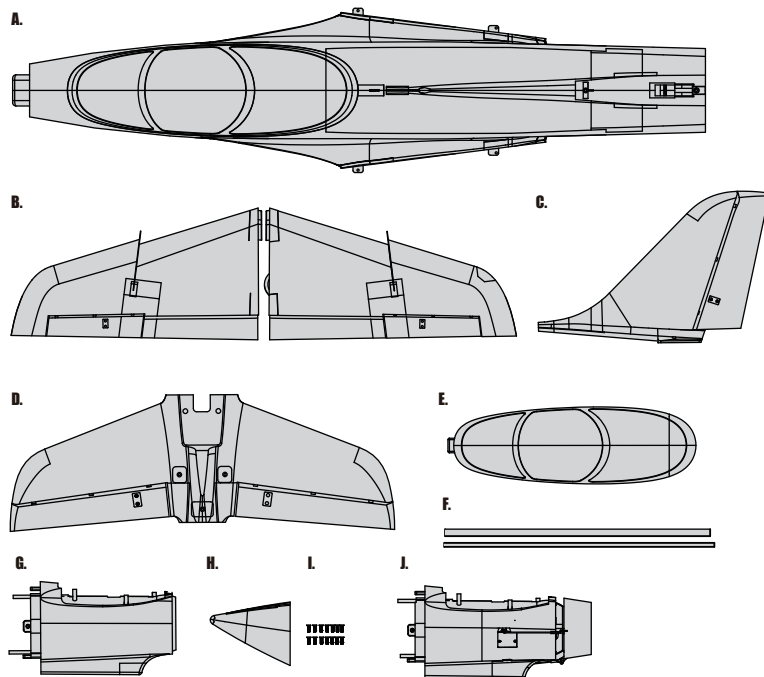
Before assembly, please inspect the contents of the kit. The photo below details the contents of the kit with labels. If any parts are missing or defective, please identify the name or part number (refer to the spare parts list near the end of the manual) then contact your local shop or email us: support @fmsmodel.com.

Avanti specification (standard)

Wing span: 1290mm /50.8 in
Overall length: 1360mm /53.5 in
Flying weight: ~ 3200g
Motor size: 3670-KV1950
Wing load: 100 g/dm ² (0.19oz/in ²)
Wing area: 32dm ² (495.8 sq.in)
ESC: 120A
Servo: 13gX8pcs
EDF: 90mm Ducted Fan 12-blade
Recommended battery: 22.2V 5000mAh-6000mAh 45c

Avanti specification (with vector- purchased separately)

Wing span: 1290mm /50.8 in
Overall length: 1440mm /56.7 in
Flying weight: ~ 3400g
Motor size: 3670-KV1950
Wing load: 106 g/dm ² (0.2oz/in ²)
Wing area: 32dm ² (495.8 sq.in)
ESC: 120A
Servo: 13gX10pcs
EDF: 90mm Ducted Fan 12-blade
Recommended battery: 22.2V 5000mAh-6000mAh 45c

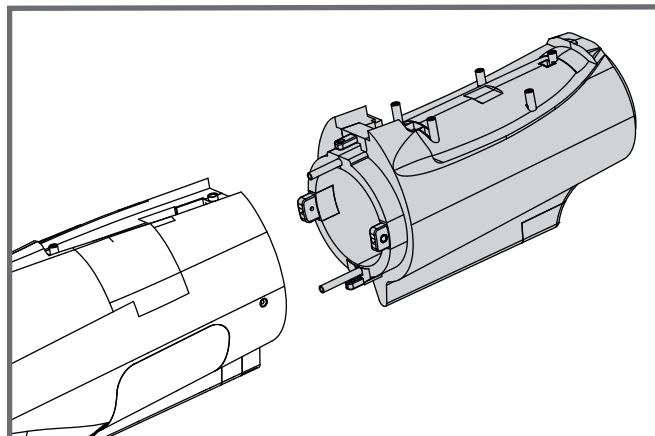


- A: Front fuselage
- B: Main wing
- C: Vertical stabilizer
- D: Horizontal stabilizer
- E: Cockpit
- F: Wing tubes
- G: Rear fuselage
- H: Nose cowl
- I: Screws (HKM3.0*10mm x 11 ,HKM3.0*16 x 3)
- J: Rear fuselage with vector tail nozzle (optional part)

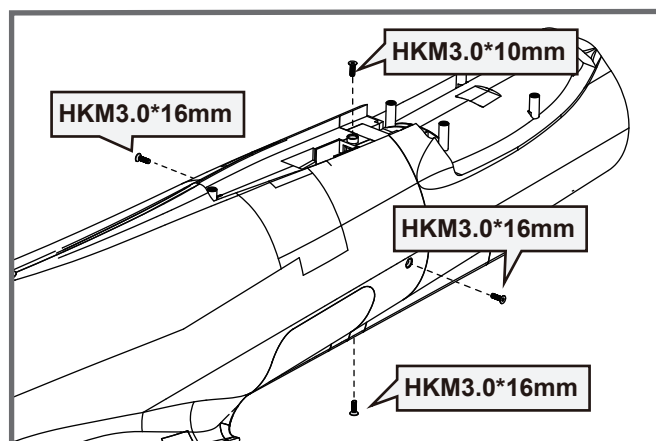
Model assembly

Fuselage installation

1. Align front and rear fuselage as shown.



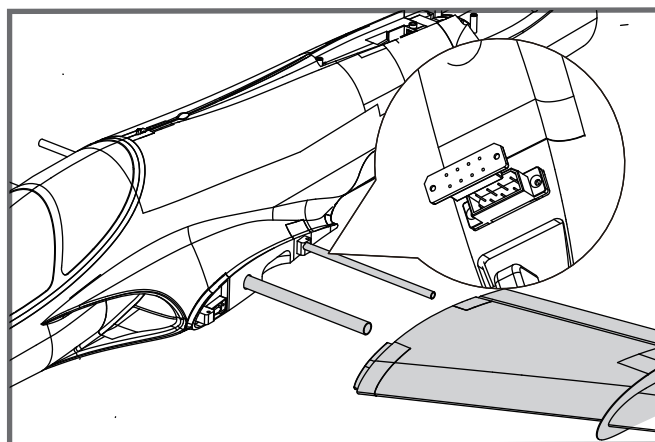
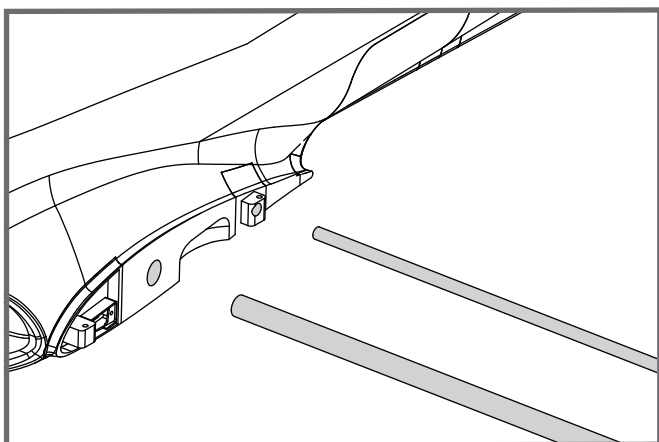
2. Use the attached screws (HKM3.0*10mm x 1, HKM3.0*16 x 3) to secure the front and rear fuselage in place from the top, bottom, left, and right directions.



Main wing installation

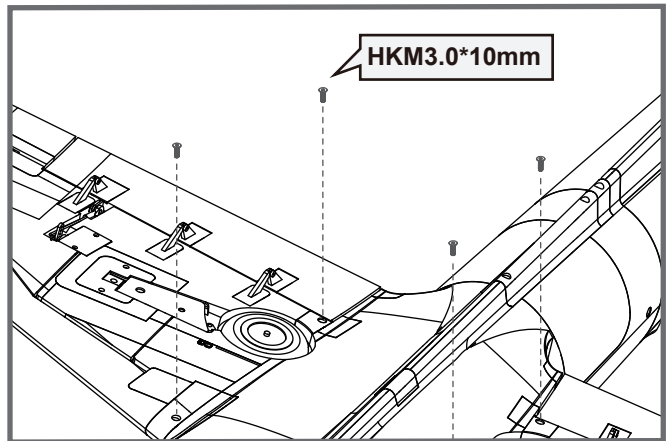
1. Slide the two wing tubes into the fuselage slots as shown, then install both wings over the wing tubes and into the wing slots of the fuselage.

Note: The connectors on both sides should be attached precisely and firmly



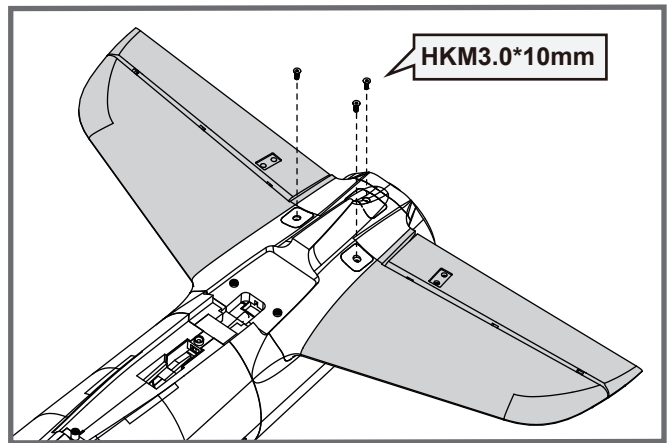
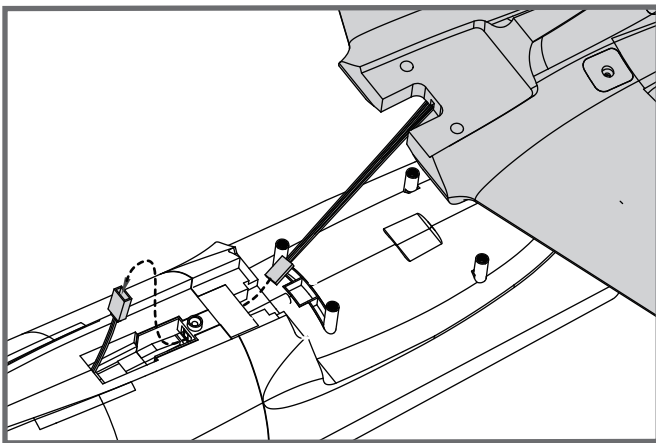
Model assembly

2. Secure the both wings into the fuselage using the attached screws(HKM3.0*10mm x 4).



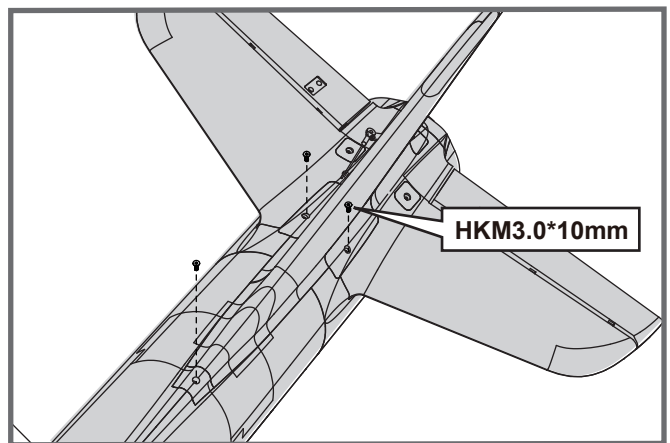
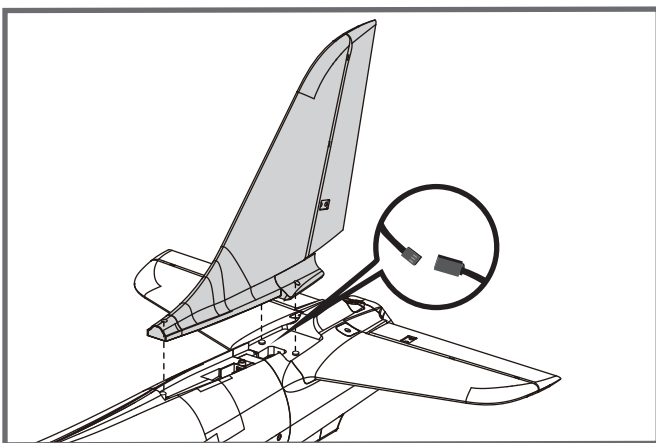
Horizontal tail installation

1. Open the accessory package and take out the Y-harness. Connect the left and right horizontal stabilizer servo wires to the Y-harness. Then, thread the other end of the Y-harness through the plastic piece as shown and connect it to the "ELE" extension wire in the fuselage.
2. Insert the horizontal tail at the rear of the fuselage and secure in place using the included screws.



Vertical tail installation

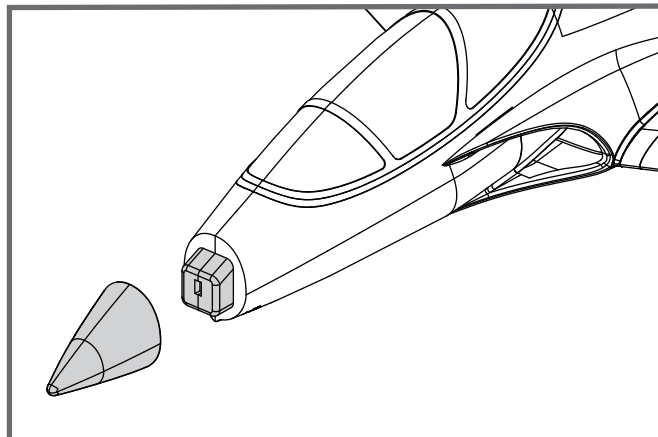
1. Connect the rudder servo wire to the "RUD" extension wire in the fuselage, then insert the vertical tail into the slot at the rear of the fuselage and secure in place using the included screws(HKM3.0*10mm x 3).



Model assembly

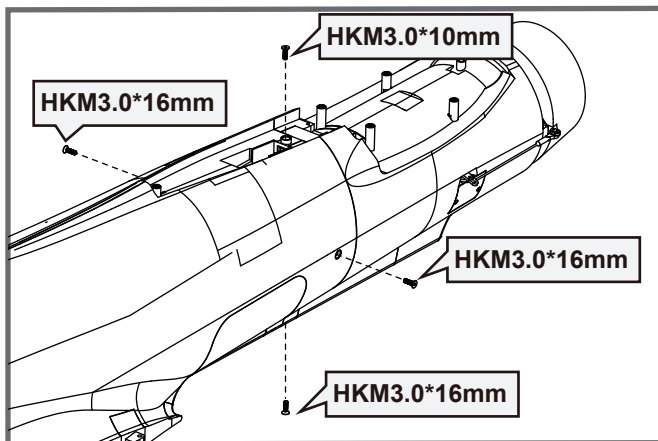
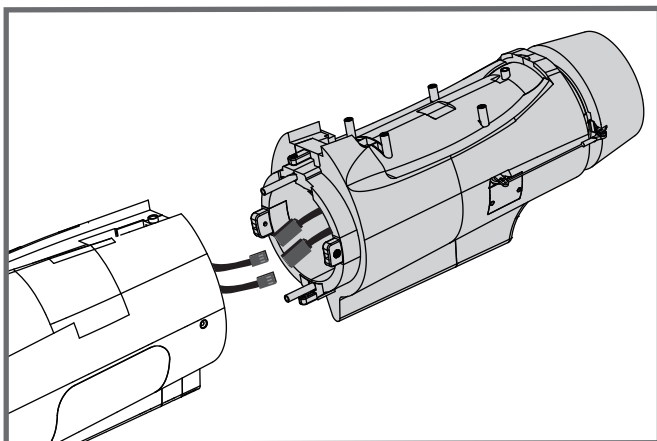
Cowl installation

1. Install the cowling to the front of the fuselage, ensuring that the cowling is installed in the correct direction.



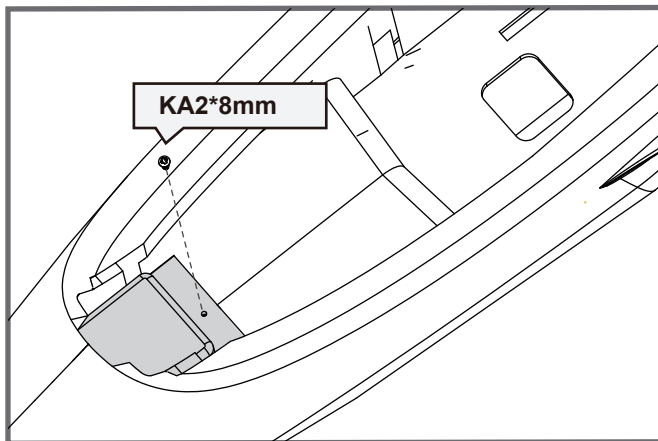
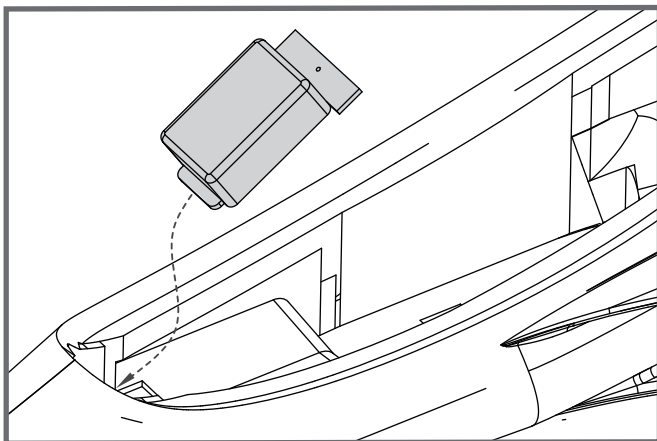
Rear fuselage with vector tail nozzle installation (purchased separately)

1. Open the accessory package and take out the extension wires as needed (if the number of receiver channels is insufficient, the package also includes two Y-harnesses for modelers to use). Connect the vector servo wires to the extension wires, then align front and rear fuselage as shown.



2. Use the attached screws (HKM3.0*10mm x 1, HKM3.0*16 x 3) to secure the front and rear fuselage in place.

3. Open the accessory package and take out the counterweight and screw. Push the counterweight into the deepest position of the nose, then secure it in place using the provided screw (KA2*8).

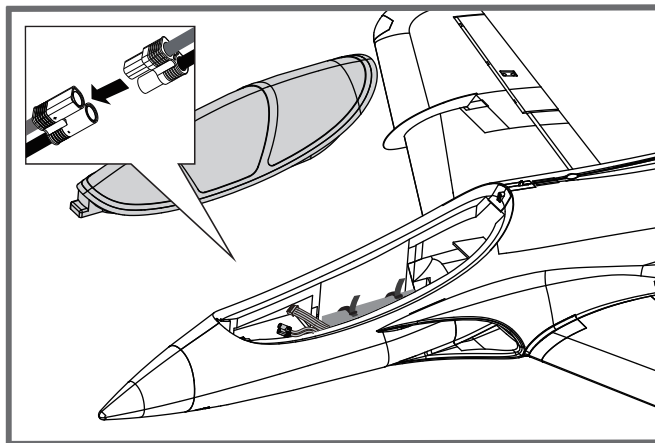


Battery installation

1. Pull back on the latch and remove the battery hatch.
2. Apply the hook tape to the cable end of the battery.
3. Slide the full charged battery into the battery compartment with the power supply cable toward the rear end of the plane.

Note: The center of gravity can be adjusted by moving the battery forward or aft. Having the correct center of gravity is critical to achieving proper flight characteristics.

Battery compartment size: 210 x 85 x 65mm



Receiver diagram

The cables from the servo connector board should be connected to your receiver in the order shown. Note that the LEDs can be powered by any spare channel on the receiver. Tuck the wire leads into the recessed cavity towards the rear of the battery hatch.

		Receiver
Gear	1	Channel-1 — Aile
Elevator	2	Channel-2 — Elev
Throttle	3	Channel-3 — Thro
Rudder	4	Channel-4 — Rudd
Gear	5	Channel-5 — Gear
Flap	6	Channel-6 — Spare

Get your model ready to fly

Important information

1. The ESC included with the model has a safe start. If the motor battery is connected to the ESC and the throttle stick is not in the low throttle or off position, the motor will not start until the throttle stick is moved to the low throttle or off position. Once the throttle stick is moved to the low throttle or off position, the motor will emit a series of beeps. Several beeps with the same tune means the ESC has detected the cells of the battery. The count of the beeps equals the cells of the battery. The motor is now armed and will start when the throttle is moved.
2. The motor and ESC come pre-connected and the motor rotation should be correct. If for any reason the motor is rotating in the wrong direction, simply reverse two of the three motor wires to change the direction of rotation.
3. Battery Selection and Installation. We recommend the 22.2V 5000mAh-6000mAh 45c Li-Po battery. If using another battery, the battery must be at least a 22.2V 5000mAh-6000mAh 45c battery. Your battery should be approximately the same capacity, dimension and weight as the 22.2V 5000mAh-6000mAh 45c Li-Po battery to fit the fuselage without changing the center of gravity significantly.

Get your model ready to fly

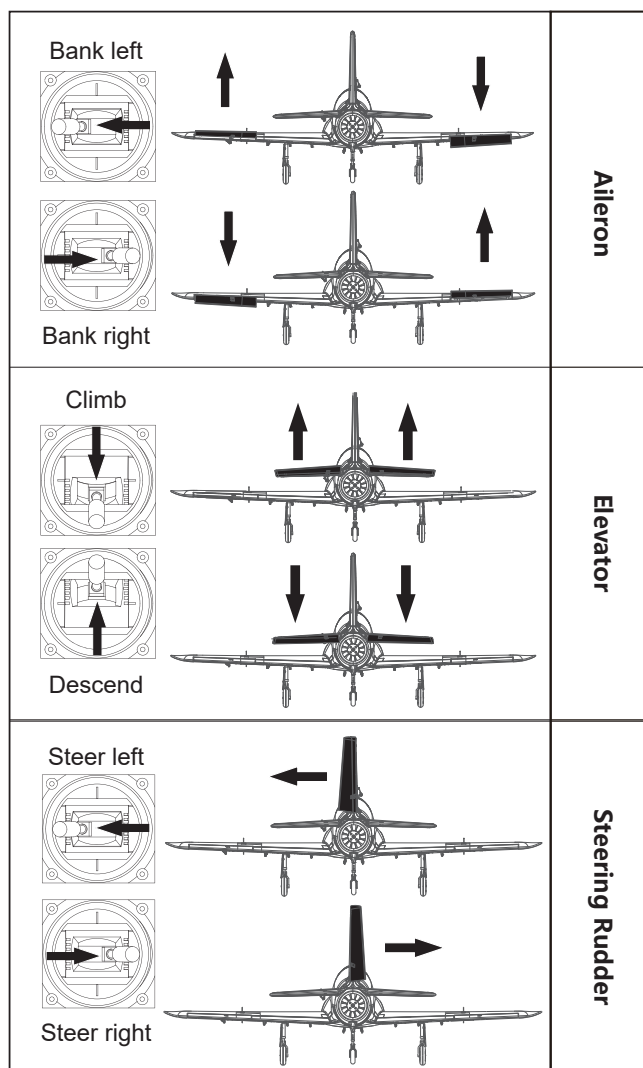
Transmitter and model setup

Before getting started, bind your receiver with your transmitter. Please refer to your Transmitter Manual for proper operation

CAUTION: To prevent personal injury, DO NOT install the propeller assembly onto the motor shaft while testing the control surfaces. DO NOT arm the ESC and do not turn on the transmitter until the Transmitter Manual instructs you to do so.

Tips: Make sure all control sticks on your radio are in the neutral position (rudder, elevator, ailerons) and the throttle is in the OFF position. Make sure both ailerons move up and down (travel) the same amount. This model tracks well when the left and right ailerons travel the same amount in response to the control stick.

1. Move the controls on the transmitter to make sure the aircraft control surface moves correctly. See diagrams below.



Control throws

The suggested control throw setting for this airplane are as follows (dual rate setting):

Tips: On the first flight, fly the model in low rate. The first time you use high rates, be sure to fly at low to medium speeds. High rate, as listed, is only for EXTREME maneuvering.

	High Rate	Low Rate
Elevator	14mm up / down	10mm up / down
Aileron	16mm up / down	12mm up / down
Rudder	22mm left / right	16mm left / right
Flap	50mm up / down	40mm up / down

Control horn and servo arm settings

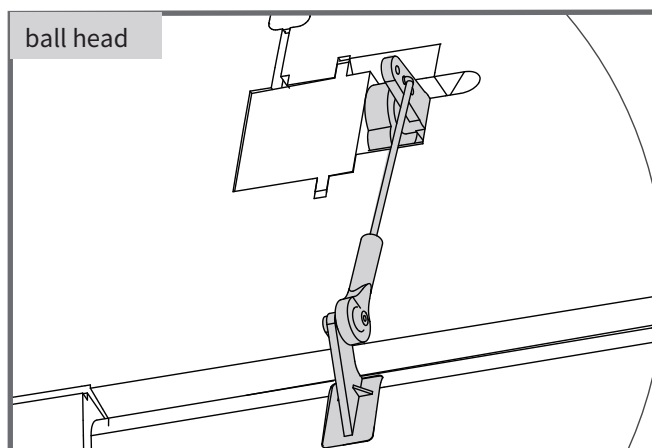
The table shows the factory settings for the control horns and servo arms. Fly the aircraft at the factory settings before making changes. After flying, you may choose to adjust the linkage positions for the desired control response.

	Horns	Arms	
Elevator			More control throw
Rudder			
Ailerons			Less control throw
Flaps			

Linkage rods installation

Before installing the main wing, horizontal tail and vertical tail, the linkage rods for ailerons, flaps, elevators and rudder should be installed in advance.

Make sure the servos are in neutral position. Attach the “Z” bend end of aileron, flap, elevator and rudder linkage rods to the corresponding holes in the aileron, flap, elevator and rudder control arms from the outside as shown (Please refer to the **control horn and servo arm settings** sections in manual). And then install the ball buckle at the other end of the linkage rods to ball head at each control horn on control surfaces.

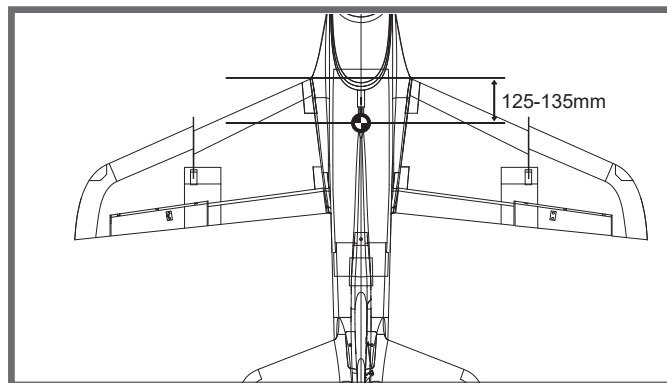


Check the C.G. (Center of gravity)

When balancing your model, adjust the motor battery as necessary so the model is level or slightly nose down. This is the correct balance point for your model. After the first flights, the CG position can be adjusted for your personal preference.

1. The recommended Center of Gravity (CG) location for your model is (125-135mm) from the leading edge of the main wing (as shown) with the battery pack installed. Mark the location of the CG on top of the wing.

2. When balancing your model, support the plane at the marks made on the bottom of the main wing with your fingers or a commercially available balancing stand. This is the correct balance point for your model. Make sure the model is assembled and ready for flight before balancing.



Before flying the model

Find a suitable flying site

Find a flying site clear of buildings, trees, power lines and other obstructions. Until you know how much area will be required and have mastered flying your plane in confined spaces, choose a site which is at least the size of two to three football fields - a flying field specifically for R/C planes is best. Never fly near people - especially children, who can wander unpredictably

Perform the range check for your plane

As a precaution, an operational ground range test should be performed before the first flight each time you go out. Performing a range test is a good way to detect problems that could cause loss of control such as low batteries, defective or damaged radio components, or radio interference. This usually requires an assistant and should be done at the actual flying site you will be using.

First turn on the transmitter, then install a fully-charged battery into the fuselage. Connect the battery and install the hatch. Remember, use care not to bump the throttle stick. Otherwise, the propeller/fan will turn and possibly cause damage or injury

Note: Please refer to your Transmitter Manual that came with your radio control system to perform a ground range check. If the controls are not working correctly or if anything seems wrong, do not fly the model until you correct the problem. Make certain all the servo wires are securely connected to the receiver and the transmitter batteries have a good connection.

Monitor your flight time

Monitor and limit your flight time using a timer (such as on a wristwatch or in your transmitter if available). When the batteries are getting low you will usually notice a performance drop before the ESC cuts off motor power, so when the plane starts flying slower you should land. Often (but not always) power can be briefly restored after the motor cuts off by holding the throttle stick all the way down for a few seconds.

To avoid an unexpected dead-stick landing on your first flight, set your timer to a conservative 4 minutes. When your alarm sounds you should land right away.

Flying course

Take off

While applying power, slowly steer to keep the model straight. The model should accelerate quickly.

As the model gains flight speed you will want to climb at a steady and even rate. It will climb out at a nice angle of attack (AOA).

Flying

Always choose a wide-open space for flying your plane. It is ideal for you to fly at a sanctioned flying field. If you are not flying at an approved site always avoid flying near houses, trees, wires and buildings. You should also be careful to avoid flying in areas where there are many people, such as busy parks, schoolyards, or soccer fields. Consult laws and ordinances before choosing a location to fly your aircraft. After takeoff, gain some altitude. Climb to a safe height before trying technical manoeuvres, including high speed passes, inverted flight, loops, and point rolls.

Maintenance

Repairs to the foam should be made with foam safe adhesives such as hot glue, foam safe CA, and 5min epoxy. When parts are not repairable, see the Spare Parts List for ordering by item number.

Always check to make sure all screws on the aircraft are tightened. Pay special attention to make sure the spinner is firmly in place before every flight.

Flying course

Landing

Land the model when you hear the motor pulsing (LVC) or if you notice a reduction in power. If using a transmitter with a timer, set the timer so you have enough flight time to make several landing approaches.

The model's three point landing gear allows the model to land on hard surfaces. Align model directly into the wind and fly down to the ground. Fly the airplane down to the ground using 1/4-1/3 throttle to keep enough energy for proper flare. Before the model touches down, always fully decrease the throttle to avoid damaging the propeller or other components. The key to a great landing is to manage the power and elevator all the way to the ground and set down lightly on the main landing gear. After a few flights you will find the model can be set down lightly on the mains and you can hold the nose wheel off balancing the model on the mains until it slows and gently settles the nose.

Trouble shooting

Problem	Possible Cause	Solution
Aircraft will not respond to the throttle but responds to other controls.	-ESC is not armed. -Throttle channel is reversed.	-Lower throttle stick and throttle trim to lowest settings. -Reverse throttle channel on transmitter.
Extra propeller noise or extra vibration.	-Damaged spinner, propeller, motor or motor mount. -Loose propeller and spinner parts. -Propeller installed backwards.	-Replace damaged parts. -Tighten parts for propeller adapter, propeller and spinner. -Remove and install propeller correctly.
Reduced flight time or aircraft underpowered.	-Flight battery charge is low. -propeller installed backward. -Flight battery damaged.	-Completely recharge flight battery. -Replace flight battery and follow flight battery instructions.
Control surface does not move, or is slow to respond to control inputs.	-Control surface, control horn, linkage or servo damage. -Wire damaged or connections loose.	-Replace or repair damaged parts and adjust controls. -Do a check of connections for loose wiring.
Controls reversed.	Channels are reversed in the transmitter.	Do the control direction test and adjust controls for aircraft and transmitter.
-Motor loses power -Motor power pulses then motor loses power.	-Damage to motor, or battery. -Loss of power to aircraft. -ESC uses default soft Low Voltage Cutoff(LVC).	-Do a check of batteries, transmitter, receiver, ESC, motor and wiring for damage(replace as needed). -Land aircraft immediately and recharge flight battery.
LED on receiver flashes slowly.	Power loss to receiver.	-Check connection from ESC to receiver. -Check servos for damage. -Check linkages for binding.

Spare parts list content

FMSEV101	90mm Avanti Fuselage
FMSEV102	90mm Avanti wing
FMSEV103	Rear fuselage with vector tail nozzle
FMSEV104	90mm Avanti Vertical Stabilizer
FMSEV105	90mm Avanti Horizontal Stabilizer
FMSEV106	90mm Avanti Canopy
FMSEV107	90mm Avanti Main landing gear cover
FMSEV108	90mm Avanti Linkage Rod
FMSEV109	90mm Avanti LED set
FMSEV110	90mm Avanti Lamp cover
FMSEV111	90mm Avanti Wheel set
FMSEV112	90mm Avanti Pipe
FMSEV113	90mm Avanti Front landing gear set
FMSEV114	90mm Avanti Main landing gear set
FMSEV115	90mm Avanti Front Landing Gear System
FMSEV116	90mm Avanti Main Landing Gear System
FMSEV117	90mm Avanti Decal sheet
FMSEV118	90mm Avanti Screws set
FMSEV119	90mm Avanti Cowl
FMSDFX005	90MM Ducted Fan (12-blade)
PRKVX1950	3670-KV1950 motor
PRESC037	120A ESC
PRSER003	Predator 13g digital metal gear servo positive with 300mm wire
PRSER004	Predator 13g digital metal gear servo positive with 460mm wire
PRSER006	Predator 13g digital metal gear servo positive with 700mm wire
PRSER005	Predator 13g digital metal gear servo reverse with 460mm wire
FMSCON021	Multi-connector set
FMSREX033	E-Retract
FMSREX027	E-Retract

Visit our website: www.fmshobby.com to see photo of this product. Enter the key word "ESC" in the search bar for the stock ESC instruction manual.

User Manual of Brushless Speed Controller

Specifications

Model (Regular)	Cont. Current	Peak Current	Input Voltage	BEC Output	Weight	Size
FLYFUN 120A V5	120A	150A	3-8S	5.2V / 6V / 7.4V Adjustable. Continuous output current 8A, Burst output current 20A	93g	77*35*19mm

User Guide

Attention! The default throttle range of this ESC is from 1100 μ s to 1940 μ s (Futaba's standard); users need to calibrate the throttle range when they start to use a new SKYWALKER brushless ESC or another transmitter.

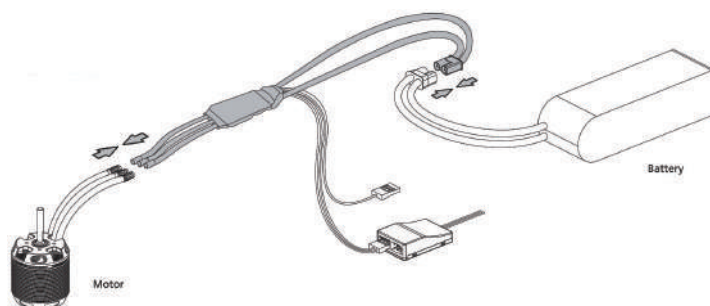
I. Connections

Signal cable description:

Throttle Signal Cable (White/Red/Black Tri-color Cable): plug it into the TH channel on the receiver or flight controller. The White wire is for transmitting throttle signals, the Red & Black wires are BEC output wires.

Reverse Brake Signal Wire (Yellow Wire): it must be plugged into any vacant channel on the receiver (when using the Reverse Brake mode) to control the ON/OFF of the Reverse Brake function.

Programming Cable (Yellow Cable): connect it to a LED program box if users want to program the ESC.



II. ESC/Radio Calibration

1. Turn on the transmitter and move the throttle stick to the top position.
2. Connect a battery to the ESC; the motor will sound "♪123" to indicate the ESC is normally powered on.
3. Then the motor will beep two short beeps to indicate the maximum throttle endpoint is accepted.
4. Move the throttle stick to the bottom position within 5 seconds after the two short beeps, the minimum throttle position will be accepted 1 second later.
5. The motor will beep "Number" beeps to indicate the number of LiPo cells you have plugged in.
6. The motor will beep a long beep to indicate the calibration is complete.

III. Normal Start-up Process

1. Turn on the transmitter, and then move the throttle stick to the bottom position.
2. After connected the ESC to a battery, the motor will emit "♪ 123" indicating the ESC is normally powered on.
3. The motor will emit several beeps to indicate the number of LiPo cells.
4. The motor emits a long beep to indicate the ESC is ready to go.

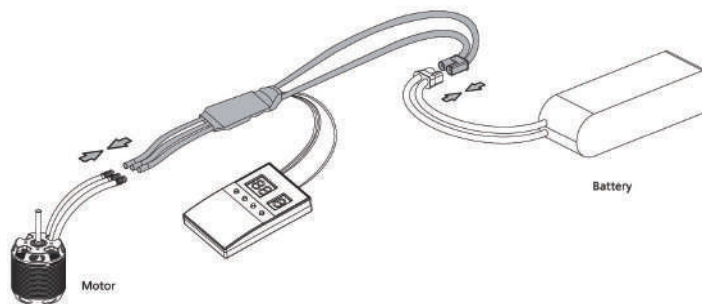
ESC Programming

I. Program your ESC with a LED Program Box

Wiring :

- 1). Plug the programming cable (on your ESC) into the programming port on the LED program box.

Note: Need plug the throttle signal cable into the power port on the LED program box and the programming wire (yellow wire) into the programming port on the LED program box.



User Manual of Brushless Speed Controller

2). (With a battery connected to your ESC), after connected a LED program box to the ESC, you need to disconnect the battery first and then reconnect it to the ESC to enter the programming mode, check and set parameters.

The portable program box is an optional accessory applicable for field use. Its friendly interface makes the ESC programming easy and quick. Connect a battery to your ESC after connecting a LED program box to the ESC, all programmable items will show up a few seconds later. You can select the item you want to program and the setting you want to choose via "ITEM" & "VALUE" buttons on the program box, and then press the "OK" button to save all new settings to your ESC.

Attention! You need to power your ESC off and then on after adjusting parameters. Otherwise, new parameters won't take effect.

II. Program your ESC with the Transmitter

It consists of 4 steps: Enter the programming → Select parameter items → Select parameter values → Exit the programming

1. Enter the Programming

Turn on the transmitter, move the throttle stick to the top position, and connect a battery to the ESC, 2 seconds later, the motor will beep "B-B-" first, then emit 5 seconds later to indicate that you are in the ESC programming mode.

2. Select Parameter Items

After entering the programming, you'll hear the following 12 kinds of beeps circularly. Move the throttle stick to the bottom position within 3 seconds after you hear some kind of beeps, you'll enter the corresponding parameter item.

1. "B-"	Brake Type	(1 Short B)	7. "B——B-B-"	Timing	(1 Long B & 2 Short Bs)
2. "B-B-"	Brake Force	(2 Short Bs)	8. "B——B-B-B-"	Active Freewheeling	(1 Long B & 3 Short Bs)
3. "B-B-B-"	Voltage Cutoff Type	(3 Short Bs)	9. "B——B-B-B-B-"	Search Mode	(1 Long B & 4 Short Bs)
4. "B-B-B-B-"	LiPo Cells	(4 Short Bs)	10. "B——B——"	Factory Reset	(2 Long Bs)
5. "B——"	Cutoff Voltage	(1 Long B)	11. "B——B——B-"	Exit	(2 Long Bs & 1 Short B)
6. "B——B-"	Start-up Mode	(1 Long B & 1 Short B)			

Note: A long "B——" equals to 5 short "B-", so a long "B——" and a short "B-" represent the 6th item in "Select Parameter Items".

III. Select Parameter Values

The motor will beep different kinds of beeps circularly, move the throttle stick to the top position after you hear some kind of beeps will get you to the corresponding parameter value, then you'll hear the motor emit "" to indicate the value is saved, then get back to "Select Parameter Items" and continue to select other parameter items that you want to adjust.

Items \ Values (Bs)	Values (Bs)				
	B- 1	B-B- 2	B - B - B - 3	B-B-B-B- 4	B-- 5
Brake Type	Disabled	Normal	*Reverse	Linear Reverse	
Brake Force	*Low	Medium	High		
Voltage Cutoff Type	*Soft	Hard			
LiPo Cells	*Auto Calc.	3S	4S	5S	6S
Cutoff Voltage	Disabled	Low	*Medium	High	
Start-up Mode	*Normal	Soft	Very Soft		
Timing	Low	*Medium	High		
Acitve Freewheeling	*On	Off			
Search Mode	*Off	5min	10min	15min	

Note: Those values marked with * in the form below are the factory default settings.

VI. Exit the Programming

Move the throttle stick to the bottom position within 3 seconds after you hear "Two long and One short beeps" (emitting from the motor) can get you exit the programming mode. The motor beeps "Number" beeps to indicate the number of LiPo cells you have plugged in, and then a long beep to indicate the power system is ready to go.

User Manual of Brushless Speed Controller

Programmable Items

1. Brake Type

1.1 Normal Brake

After selected this option, the brake function will be activated when you move the throttle stick to the bottom position. In this mode, the brake amount equals to the brake force you've preset.

1.2 Reverse Brake

After selected this option, the Reverse Brake signal wire (its signal range must be the same as the throttle range) must to be plugged into any vacant channel on the receiver, and you can control the motor direction via that channel. The channel range of 0-50% is the default motor direction, and the channel range of 50% to 100% will cause the motor to spin counterclockwise. The channel stick should be within the channel range of 0-50% (0 would be better) when the first time you power on the ESC. After the Reverse function is activated, the motor will stop first and then spin in the reversed direction and then increase to the speed corresponding to the throttle input. Either signal loss, no matter reverse brake signal loss or throttle signal loss during the flight, can cause the throttle signal loss protection to be activated.

1.3 Linear Reverse Brake

After selected this option, the Reverse Brake signal wire must to be plugged into any vacant channel on the receiver, and you can control the motor direction via that channel. This channel should be set to a linear switch (usually a knob on the transmitter). Turn the linear channel switch to activate the reverse function. The speed of the motor is controlled by the linear channel switch. When reversed, the initial throttle value is started at 10%, and the throttle stroke of the linear switch is cured to 1.34ms-1.79ms. The channel stick should be at 0% throttle position when the first time you power on the ESC. Either signal loss, no matter reverse brake signal loss or throttle signal loss during the flight, can cause the throttle signal loss protection to be activated.

2. Brake Force

This item is only effect in the "Normal brake" mode, The higher the level, the stronger the braking effect, where the low/medium/high corresponds to the braking force: 60%/90%/100%

3. Voltage Cutoff Type

3.1 Soft Cutoff

After selected this option, the ESC will gradually reduce the output to 60% of the full power in 3 seconds after the low-voltage cutoff protection is activated.

3.2 Hard Cutoff

After selected this option, the ESC will immediately cut off the output when the low-voltage cutoff protection is activated.

4. LiPo Cells

The ESC will automatically calculate the number of LiPo cells you have plugged in as per the "3.7V/Cell" rule if "Auto Calc." is selected, or you can set this item manually.

5. Cutoff Voltage

If set off, the low-voltage protection function is disabled. In addition, the protection voltage value of the low-voltage protection function corresponding to the low/medium/three modes is about 2.8V/ section, 3.0V/ section and 3.4V/ section. This value is the voltage of a single battery, multiplied by the number of lithium batteries automatically identified by the electronic governor or the number of lithium batteries manually set, which is the protection voltage value of the battery. (For example, if the low voltage protection threshold of 3 lithium batteries is medium, the protection voltage of the batteries is $3 \times 3.0 = 9.0V$)

6. Start-up Mode

This is used to adjust the throttle response time of ESC acceleration from 0% to 100%. Normal/Soft/Very Soft correspond to approximately 200ms/500ms/800ms respectively

7. Timing

Can adjust the drive motor timing value. The low / Medium and high are respectively: 5°/15°/25°.

8. Active Freewheeling (DEO)

This item is adjustable between "Enabled" and "Disabled", and it is enabled by default. With it enabled, you can have better throttle linearity or smoother throttle response.

9. Search Mode

After selected this option, ESC will drive the motor chirping prompt when the throttle is keep 0% and continues to the set time.

User Manual of Brushless Speed Controller

Trouble Shooting

Troubleshooting

Trouble	Warning Tones	Causes	Solutions
The ESC didn't work after it was powered on while the motor kept beeping.	"BB, BB, BB....."	The input voltage was beyond the operating voltage range of the ESC.	Adjust the power-on voltage and ensure it's in the operating voltage range of the ESC.
The ESC didn't work after it was powered on while the motor kept beeping.	"B-, B-, B-, B-....."	The ESC didn't receive any throttle signal from the receiver.	Check if the transmitter and receiver are well bound, if any poor connection exists between the ESC and receiver.
The ESC didn't work after it was powered on while the motor kept beeping.	"B, B, B, B....."	The throttle stick has not been moved to the bottom position.	Move the throttle stick to the bottom position and calibrate the throttle range.
The ESC didn't work after the throttle calibration while the motor kept beeping.	"B, B, B, B....."	The throttle range you set was too narrow.	Re-calibrate the throttle range.
The ESC output suddenly reduced to 50% during the flight, the motor kept beeping after the flight completed but the battery was still connected to the ESC	"BB, BB, BB....."	The ESC thermal protection has been activated	Improve the heat dissipating condition (i.e. add a cooling fan) or reduce the ESC load.
The ESC output suddenly reduced to 50% during the flight, the motor kept beeping after the flight completed but the battery was still connected to the ESC	"BBB, BBB, BBB....."	The low-voltage cutoff protection has been activated.	Change another pack; lower down the cutoff voltage or disable the LVC protection (we do not recommend this).

Multiple Protections

1. Start-up Protection:

The ESC will monitor the motor speed during the start-up process. When the speed stops increasing or the speed increase is not stable, the ESC will take it as a start-up failure. At that time, if the throttle amount is less than 15%, the ESC will try to restart automatically; if it is larger than 20%, you need to move the throttle stick back to the bottom position first and then restart the ESC. (Possible causes of this problem: poor connection/ disconnection between the ESC and motor wires, propellers are blocked, etc.)

2. ESC Thermal Protection:

The ESC will gradually reduce the output but won't cut it off when the ESC temperature goes above 120°C. For ensuring the motor can still get some power and won't cause crashes, so the maximum reduction is about 60% of the full power. (Here we are describing the ESC's reaction in soft cutoff mode, while if in hard cutoff mode; it will immediately cut off the power.)

3. Throttle Signal Loss Protection:

When the ESC detects loss of signal for over 0.25 second, it will cut off the output immediately to avoid an even greater loss which may be caused by the continuous high-speed rotation of propellers or rotor blades. The ESC will resume the corresponding output after normal signals are received.

4. Overload Protection:

The ESC will cut off the power/output or automatically restart itself when the load suddenly increases to a very high value. (Possible cause to sudden load increase is that propellers are blocked.)

5. Low Voltage protection:

When the battery voltage is lower than the cutoff voltage set by the ESC, the ESC will trigger the low-voltage protection. If the battery voltage is set to soft cutoff, the battery voltage will be reduced to a maximum of 60% of the full power. When set to hard cutoff, the output is cutoff immediately. After the throttle returns to 0%, the ESC will drive the motor to sound the alarm.

6. Abnormal voltage input protection:

When the battery voltage is not within the input voltage range supported by the ESC, the ESC will trigger the Abnormal input voltage protection, ESC will drive the motor to sound the alarm.

Warnhinweise



WARNUNG: Lesen Sie die GESAMTE Bedienungsanleitung, um sich vor der Inbetriebnahme mit den Funktionen des Produkts vertraut zu machen.

Wenn das Produkt nicht ordnungsgemäß bedient wird, kann dies zu Schäden am Produkt oder persönlichem Eigentum führen und schwere Verletzungen verursachen. Dieses Produkt ist kein Spielzeug! Es muss mit Vorsicht und gesundem Menschenverstand betrieben werden. Andernfalls kann es zu Verletzungen oder Schäden am Produkt oder anderen Sachwerten führen. Dieses Produkt ist nicht für den Betrieb durch Kinder ohne direkte Aufsicht von Erwachsenen vorgesehen.

Diese Anleitung enthält Hinweise zu Sicherheit und Wartung. Es ist wichtig, dass vor der Verwendung alle Anweisungen und Warnungen in der Anleitung gelesen und befolgt werden, um Schäden oder schwere Verletzungen zu vermeiden.

Sicherheitsvorkehrungen

Als Benutzer dieses Produkts sind Sie allein dafür verantwortlich dieses Produkt so zu betreiben, dass weder Sie selbst noch andere gefährdet oder Schäden am Produkt oder Eigentum anderer verursacht werden.

Dieses Modell wird von einem Funksignal gesteuert, das von vielen Quellen außerhalb Ihrer Kontrolle gestört werden kann. Solche Störungen können zu einem vorübergehenden Kontrollverlust führen. Daher sollte immer einen Sicherheitsabstand zu Personen und Gebäuden eingehalten werden.

Altersempfehlung: Nicht für Kinder unter 14 Jahren. Dies ist kein Spielzeug.

- Betreiben Sie Ihr Modell niemals mit leeren Senderbatterien.
- Betreiben Sie Ihr Modell immer in einem offenen Bereich, abseits von Gebäuden, Verkehr oder Personen.
- Befolgen Sie die gesetzlichen Regelungen Ihres Landes zum Betrieb von ferngesteuerten Modellflugzeugen.
- Befolgen Sie sorgfältig die Anweisungen und Warnungen für dieses und alle unterstützenden Geräte, die Sie verwenden (Ladegeräte, wiederaufladbare Akkus usw.).
- Bewahren Sie alle Chemikalien, Kleinteile und elektrischen Geräte außerhalb der Reichweite von Kindern auf.
- Feuchtigkeit verursacht Schäden an der Elektronik. Vermeiden Sie, dass die Produkte Wasser ausgesetzt werden, die nicht speziell für diesen Zweck entworfen und geschützt sind.
- Nehmen Sie Teile des Produkts niemals in den Mund, da dies zu schweren Verletzungen oder sogar zum Tod führen kann.

Hinweise zu LiPo-Akkus

VORSICHT: Befolgen Sie immer die Anweisungen des Herstellers zur sicheren Verwendung und Entsorgung von Batterien. Durch falsche Handhabung von Li-Po-Batterien können Feuer, Sachschäden oder schwere Verletzungen verursacht werden.

- Seien Sie sich über alle Risiken klar, die mit dem Umgang von Lithium Polymer (LiPo) Akkus verbunden sind. Wenn die Akkus zu irgendeinem Zeitpunkt anschwellen oder aufblähen, verwenden Sie diese auf keinen Fall mehr!
- Um die Lebensdauer des Akkus zu verlängern sollten dieser bei Zimmertemperatur in einem trockenen Bereich gelagert werden. Bewahren Sie den Akku oder das Modell nicht in einem Auto oder in direktem Sonnenlicht auf. Wenn der Akku über einen längeren Zeitraum zu hohen Temperaturen ausgesetzt wird kann dieser beschädigt werden oder sogar Feuer fangen.
- Verwenden Sie niemals ein NiMh-Ladegerät, um Li-Po-Akkus aufzuladen. Wenn der Akku nicht mit einem Li-Po-kompatiblen Ladegerät geladen wird, kann dies zu einem Brand führen, der zu Personen- und Sachschäden führen kann.
- Niemals Li-Po Zellen unter 3V entladen.
- Lassen Sie Akkus beim Laden niemals unbeaufsichtigt.
- Laden Sie niemals beschädigte Akkus auf.
- Aufladen des LiPo-Akkus: Verwenden Sie ein Ladegerät, das die Li-Po-Batterie sicher aufladen kann. Lesen Sie vor dem Gebrauch die Anweisungen des Ladegeräts sorgfältig durch. Achten Sie beim Laden des Akkus darauf, dass sich der Akku auf einer hitzebeständigen Oberfläche befindet. Es wird auch dringend empfohlen, den Li-Po Akku in einem feuerbeständigen LiPo-Koffer zu laden. LiPo Koffer finden Sie bei Ihrem Fachhändler oder im Internet.

Einleitung

90mm EDF Avanti 18. Jahrestag der Einführung des Schocks!

Hintergrund:

Die FMS Avanti ist ein Flugzeug, das gemeinsam vom FMS-Team und dem Sebart-Team in Italien entwickelt wurde. Ursprünglich in Italien entworfen und in das Designkonzept von FMS integriert, vereint diese Avanti die Essenz des chinesischen und italienischen Designs. Mit der offiziellen Zulassung von Sebart ist die Qualität besser garantiert.

Über das Modell:

Unser Produktkonzept bleibt das gleiche: "Perfektes Aussehen, hervorragende Leistung". Ausgehend davon verlangen wir, dass dieser 90-mm-EDF-Avanti dem Original so nahe wie möglich kommt und gleichzeitig die Manövrierfähigkeit und die Leistung bei niedriger Geschwindigkeit unserer früheren 90-mm-EDF-Jets verbessert. Um diese ehrgeizigen Anforderungen zu erfüllen, haben die Ingenieure mehr als ein Jahr in die Forschung und Entwicklung investiert.

Der FMS 90mm EDF Jet zeichnet sich durch einen niedrigen Strömungsabrisspunkt, hohe Fehlertoleranz und einfache Kontrolle beim Wenden und Kreisen aus. Er ist wendig und präzise in der Luft und kann leicht Seitenflug, Rückenflug, Rollen, Loopings und andere Manöver ausführen. Der hintere Rumpf kann mit einer Vektoreinheit aufgerüstet werden (separat erhältlich), so dass erfahrene Piloten sich an Super-Manöver wie Pirouetten wagen können.

Die Kombination aus einem hocheffizienten 90-mm, 12-Blatt-EDF, einem schubstarken 3670-KV1950-In-Runner-Motor und einem hochwertigen 120-A-Regler, gepaart mit dem empfohlenen 6S 5000-6000mAh 45C-Akku, sorgt für unvergleichliche Flugleistungen. Die Gasannahme ist sehr direkt und der Sound beeindruckend. Dieser Scale-Jet kombiniert die sanften Flugeigenschaften eines Sportflugzeugs mit der Agilität für unglaublichen Kunstflug und hohe Geschwindigkeiten!

Darüber hinaus verfügt der Avanti 90mm EDF über die neuesten Struktur- und Montagetechniken, wie z.B. die verschraubte Struktur, die kugelgelagerten Steuerflächen und das Multi-Verbindungssystem, die eine schnelle und einfache Montage ermöglichen. Ausgestattet mit einem elektronischen Einziehfahrwerk mit Überspannungsschutz und einem CNC-gefrästen Metallfahrwerk, übersteht der Avanti auch heftige Landungen problemlos. Der Avanti Jet ist mit großen, verschleißfesten Reifen ausgestattet, die für Starts und Landungen auf rauen Oberflächen geeignet sind; vier Navigationslichter sind auf beiden Flügelspitzen und dem oberen und unteren Rumpf verteilt, wobei sowohl die Flügelspitzen- als auch die untere Rumpfbeleuchtung blinken können, was den Flügeln vor dem Hintergrund der untergehenden Sonne mehr vorbildgetreue verleiht.

Der 90mmEDF Avanti Jet ist die erste Wahl in seiner Klasse in Bezug auf Montage, Start, Flug und Landeverhalten.

Merkmale:

1. Elektronische Ausstattung: Hochwertiger 120A Brushless Regler, leistungsstarker Brushless-Motor 3670 KV1950, hocheffizienter 90mm 12-Blatt-Impeller, hochpräzise Metall-Digitalservos.
2. Extrem vielseitiger Leistungs- und Geschwindigkeitsbereich, der Freizeit-, Hochgeschwindigkeits- und Kunstflug ermöglicht, mit sanftem und mühelosem Start, Flug und Landeverhalten.
3. Elektronisches Einziehfahrwerk mit Überspannungsschutz und CNC-gefrästes Metallfahrwerk, das auch harte Landungen gut übersteht.
4. Funktionelle Klappen erhöhen den Auftriebskoeffizienten des Flugzeugs erheblich.
5. Realistisch blinkende Navigationslichter (außer dem oberen Rumpflicht) und turbinenähnliche Geräuschsimulation.
6. Zweiteiliger Rumpf und Haupttragflächen für bequeme Lagerung und Transport.
7. Transparentes Cockpit mit Verriegelung, realistischem Instrumentenbrett und Pilotenfigur.
8. Großes Akkufach zur Aufnahme von Akkus verschiedener Größen von verschiedenen Herstellern.
9. Vorinstallierte kugelgelagerte Ruderhebel für mehr Präzision
10. Schraubbarer Aufbau.
11. Umweltfreundliche Farbe auf Wasserbasis.
12. Hochfester EPO 34,5-Schaum.

Lieferumfang

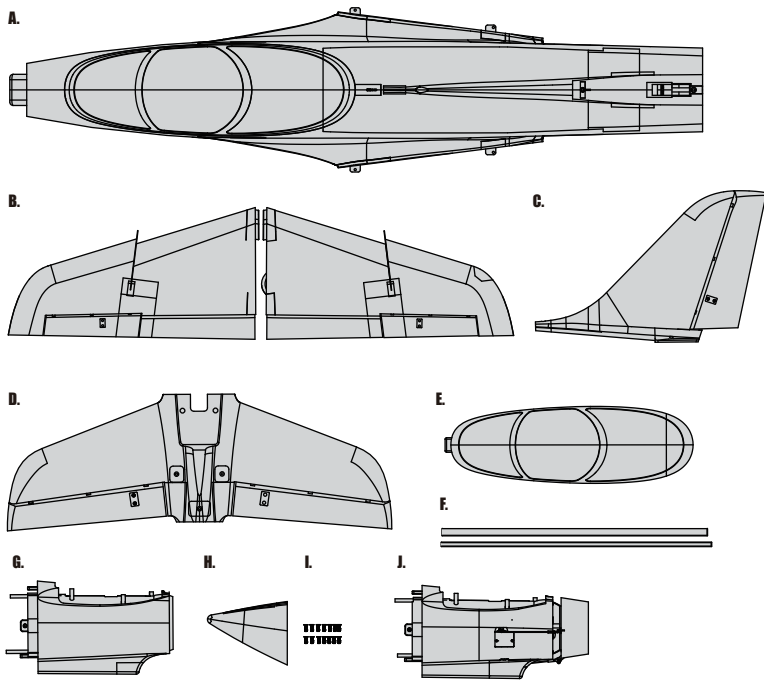
Bitte überprüfen Sie vor der Endmontage ob alle Teile des Modells enthalten sind. Das folgende Bild zeigt den Inhalt des Kits. Sollten Teile fehlen notieren Sie sich bitte den Namen und die Teilenummer (siehe Ersatzteilliste am Ende dieser Bauanleitung) und kontaktieren Sie Ihren lokalen Händler oder senden Sie uns eine E-Mail an info@d-power-modell.bau.com.

Avanti-Eigenschaften (Standard)

Spannweite: 1290mm /50.8 in
Länge: 1360mm /53.5 in
Fluggewicht: ~ 3200g
Motor: 3670-KV1950
Flächenbelastung: 100 g/dm ² (0.19oz/in ²)
Flächeninhalt: 32dm ² (495.8 sq.in)
Regler: 120A
Servo: 13gX8pcs
EDF: 90mm Ducted Fan 12-blade
Empfohlener Akku: 22.2V 5000mAh-6000mAh 45c

Avanti-Eigenschaften (mit Vektor - separat erhältlich)

Spannweite: 1290mm /50.8 in
Länge: 1440mm /56.7 in
Fluggewicht: ~ 3400g
Motor: 3670 KV1950
Flächenbelastung: 106 g/dm ² (0.2oz/in ²)
Flächeninhalt: 32dm ² (495.8 sq.in)
Regler: 120A
Servo: 13gX10pcs
EDF: 90mm Ducted Fan 12-blade
Empfohlener Akku: 22.2V 5000mAh-6000mAh 45c

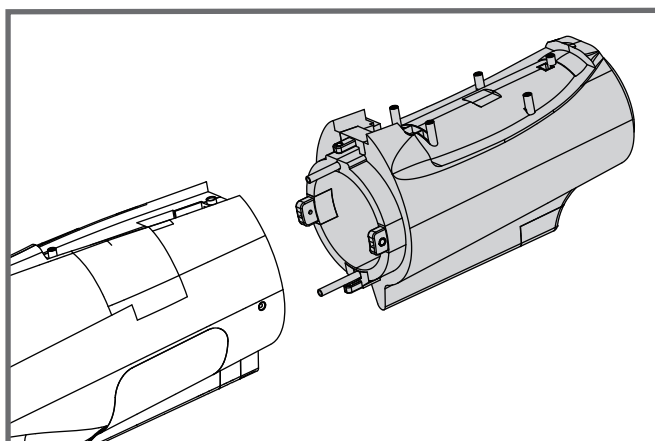


- A: Rumpf
- B: Tragflächen
- C: Seitenleitwerke Set
- D: Höhenleitwerke Set
- E: Cockpit
- F: Anlenkungsstangen
- G: Hinterer Rumpf
- H: Motorhaube
- I: Schrauben
(HKM3.0*10mm x 11 ,HKM3.0*16 x 3)
- J: Hinterer Rumpf mit Vektorheckdüse
(optionales Teil)

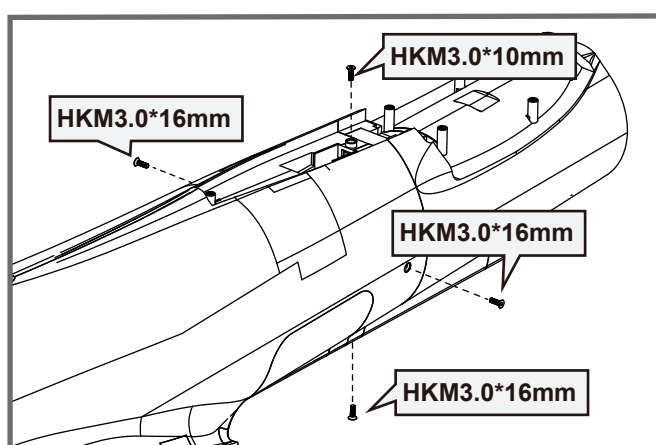
Montage des Modells

Montage des hinteren Rumpfes

1. Richten Sie den vorderen und hinteren Rumpf wie abgebildet aus.



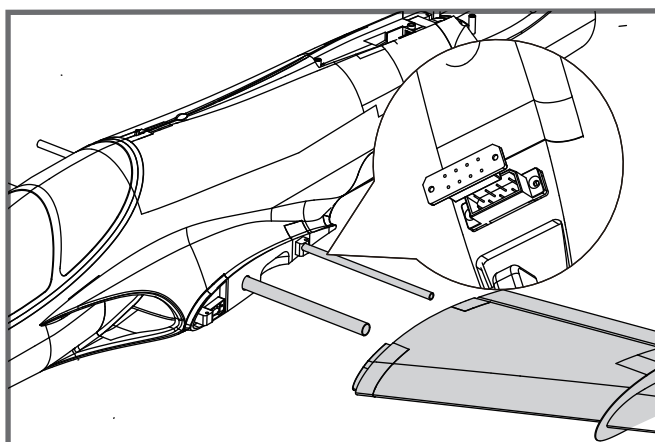
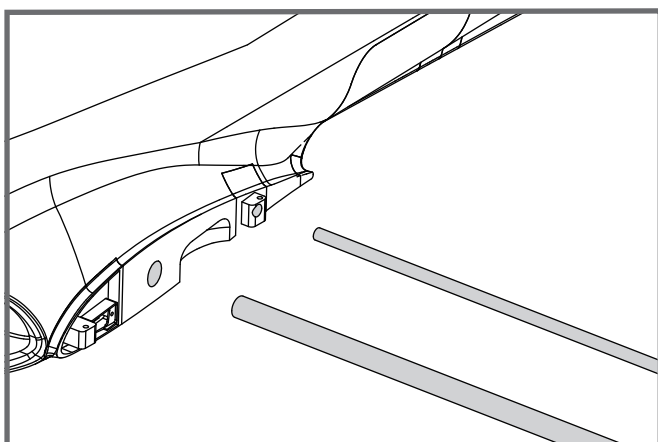
2. verwenden Sie die beigefügten Schrauben (HKM3.0*10mm x 1, HKM3.0*16 x 3), um den vorderen und hinteren Rumpf von oben, unten, links und rechts zu befestigen.



Montage der Tragflächen

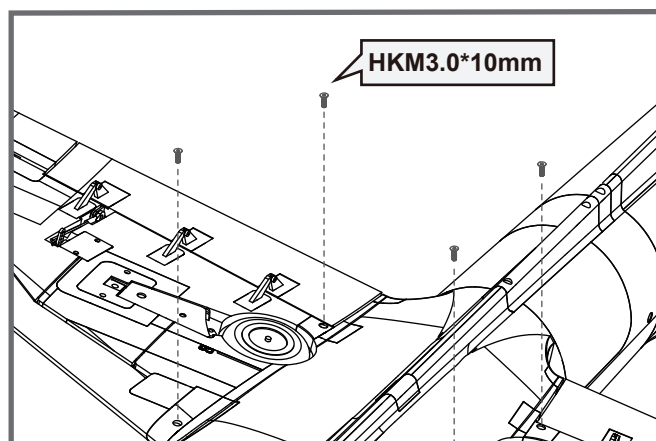
1. die beiden Flächenverbinder wie gezeigt in die Rumpfschlitze schieben, dann die beiden Flügel über die Flügelrohre und in die Flügelaufnahme des Rumpfes schieben.

Hinweis: Die Verbinder müssen auf beiden Seiten präzise und fest angebracht werden.



Montage des Modells

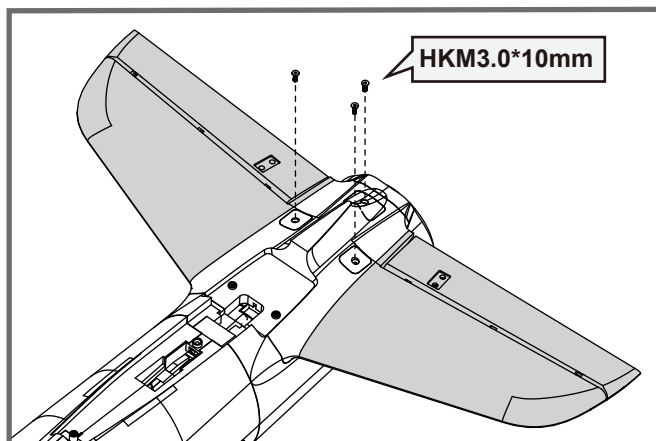
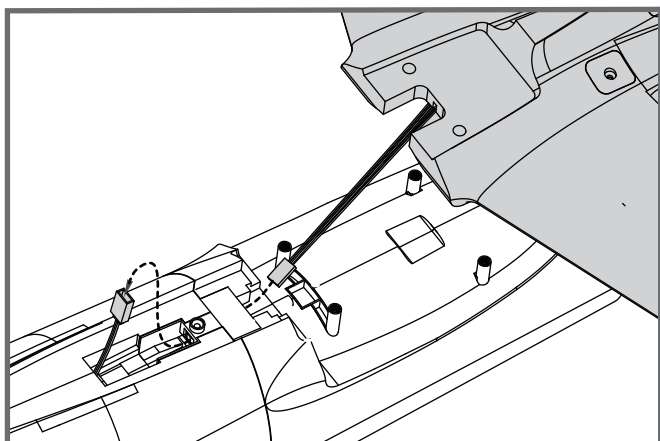
2. Befestigen Sie die beiden Tragflächenhälften mit den beiliegenden Schrauben (HKM3.0*10mm x 4) am Rumpf.



Montage des Höhenleitwerks

1. öffnen Sie das Zubehöropaket und nehmen Sie den Y-Kabelbaum heraus. Verbinden Sie das linke und rechte Servokabel des Höhenleitwerks mit dem Y-Kabelbaum. Fädeln Sie dann das andere Ende des Y-Kabelbaums wie gezeigt durch das Plastikstück und verbinden es mit dem Verlängerungskabel "ELE" im Rumpf.

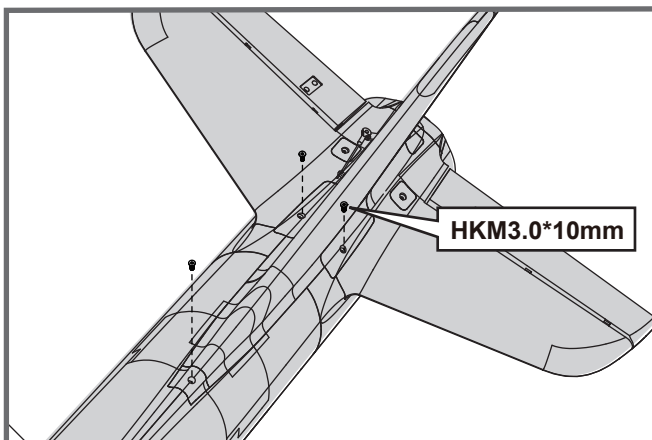
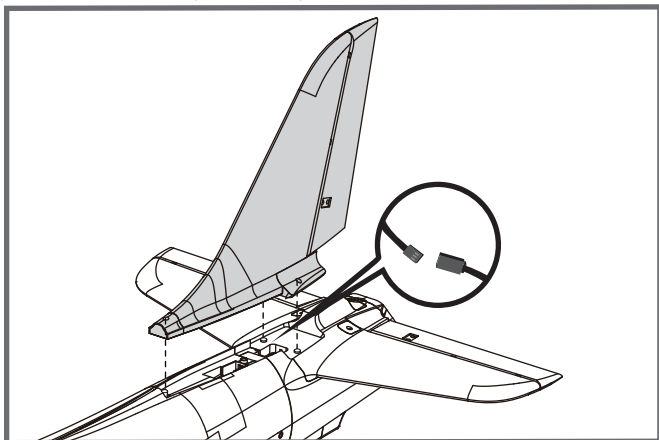
Setzen Sie das Höhenleitwerk hinten in den Rumpf ein und befestigen es mit den mitgelieferten Schrauben.



Montage des Modells

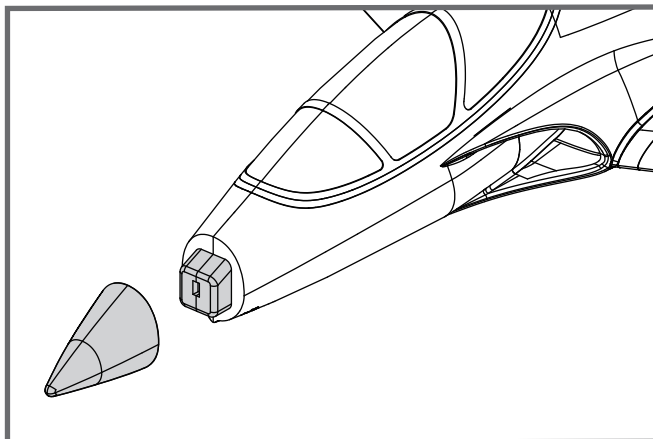
Montage des Seitenleitwerks

1. Das Seitenruderservokabel mit dem Verlängerungskabel "RUD" im Rumpf verbinden, dann das Seitenleitwerk in den Schlitz an der Rückseite des Rumpfes einführen und mit den mitgelieferten Schrauben (HKM3.0*10mm) befestigen.



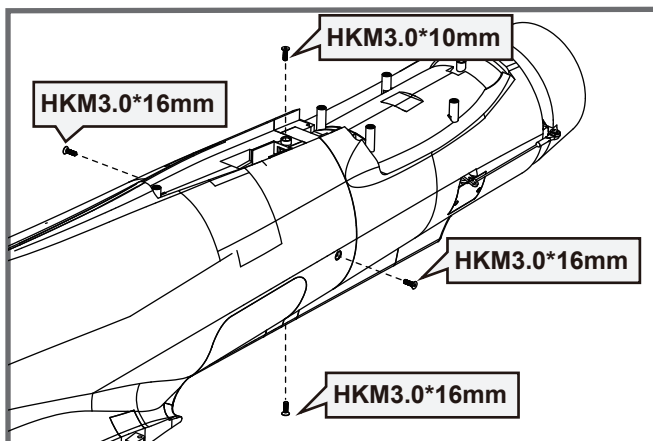
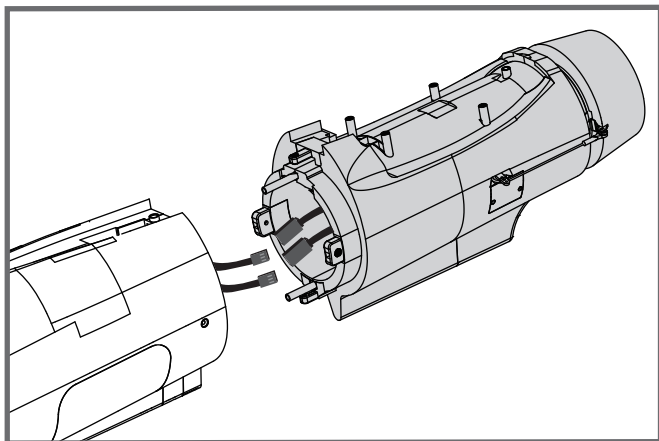
Montage der Nase

1. die Nase an der Vorderseite des Rumpfes anbringen. Achten Sie darauf, dass die Nase in der richtigen Richtung eingebaut wird



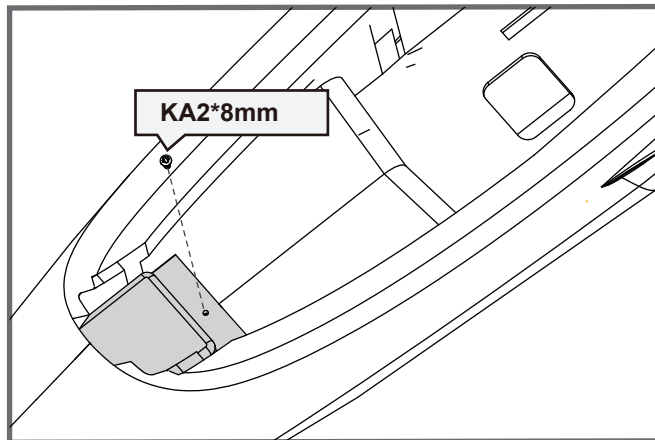
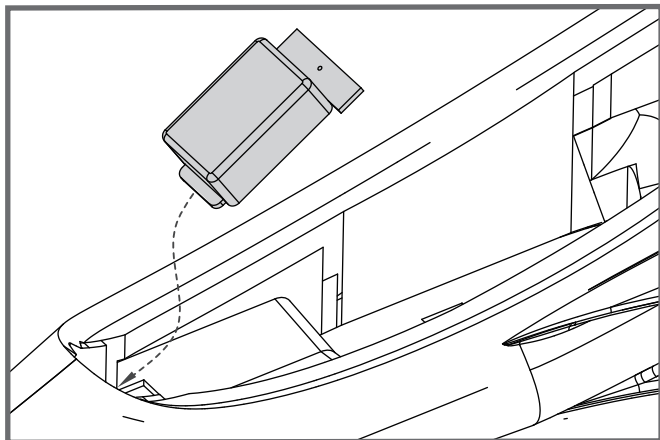
Hinterer Rumpf mit Vektorheckdüsenmontage (separat erhältlich)

Öffnen Sie das Zubehörpaket und nehmen Sie die Verlängerungskabel heraus (falls die Anzahl der Empfängerkanäle nicht ausreicht, enthält die Packung auch zwei Y-Kabelbäume, die entsprechend verwendet werden können). Verbinden Sie die Vektorservokabel mit den Verlängerungskabeln und richten Sie dann den vorderen und hinteren Rumpf wie gezeigt aus.



Montage des Modells

2. Befestigen Sie den vorderen und hinteren Rumpf mit den beigegefügt Schrauben (HKM3.0*10mm x 1, HKM3.0*16 x 3).
3. öffnen Sie das Zubehöropaket und nehmen Sie das Gegengewicht und die Schraube heraus. Schieben Sie das Gegengewicht in die tiefste Position der Nase und befestigen Sie es mit der mitgelieferten Schraube (KA2*8).

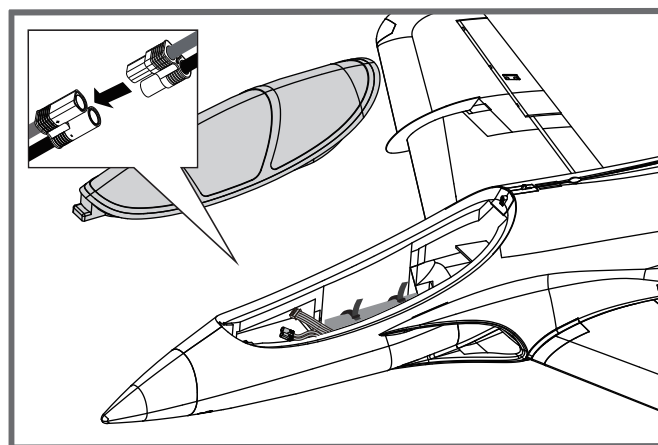


Einstezen des Akkus

1. Nehmen Sie die Haube ab.
2. Befestigen Sie den Akku mit dem Klettband.
3. Schieben Sie den geladenen Akku mit den Kabeln nach hinten in bis ganz nach vorne im Akkufach.

Hinweis: Der Schwerpunkt des Modells kann durch verschieben des Akkus verändert werden. Der korrekte Schwerpunkt hat Auswirkungen auf die Flugperformance.

Taille du compartiment à piles: 210 x 85 x 65mm



Anschließen an den Empfänger

Die Kabel von der Servosteckerleiste sollten in der dargestellten Reihenfolge an Ihren Empfänger angeschlossen werden. Beachten Sie, dass die LEDs von jedem freien Kanal des Empfängers gespeist werden können. Stecken Sie die Kabel in die Aussparung an der Rückseite der Batterieklappe.

HINWEIS: Bei Flugzeugen, die mit Wölbklappen ausgerüstet sind, schließen Sie bitte die Wölbklappenservos an CH6 an. Die LED-Leuchten können in jeden freien Kanal eingesteckt werden.

		Receiver
Aileron	1	Channel-1 — Aile
Elevator	2	Channel-2 — Elev
Throttle	3	Channel-3 — Thro
Rudder	4	Channel-4 — Rudd
Gear	5	Channel-5 — Gear
Flap	6	Channel-6 — Flap

Flugvorbereitungen

Wichtige Informationen zum Regler

1. Der eingebaute Regler ist mit einer Sicherheitsschaltung versehen. Sollte der Akku angeschlossen sein und der Gashebel nicht auf niedrig / Motor aus stehen, wird der Motor nicht starten. Wird der Gashebel ganz nach unten bewegt erzeugt der Regler eine Tonserie. Töne in der gleichen Höhe geben die Anzahl der Zellen an die der Regler gezählt hat. Diese ist gleich mit der Zellenanzahl des Akkus. Der Regler ist jetzt scharf geschaltet und startet den Motor wenn der Gashebel bewegt wird.
2. Motor und Regler sind bereits verkabelt und auch die Drehrichtung des Motors sollte korrekt sein. Sollte der Motor in die falsche Richtung drehen, tauschen Sie zwei der drei Motoranschlusskabel um die Richtung wieder zu ändern.
3. Akkuauswahl und Einbau:
Wir empfehlen einen Lipo Akku mit 22.2V 5000mAh-6000mAh 45c. Sollten Sie einen anderen Akku verwenden muß dieser mindestens die gleichen Spezifikationen in Leistung und Abmessung aufweisen. damit der Schwerpunkt nicht wesentlich geändert wird.

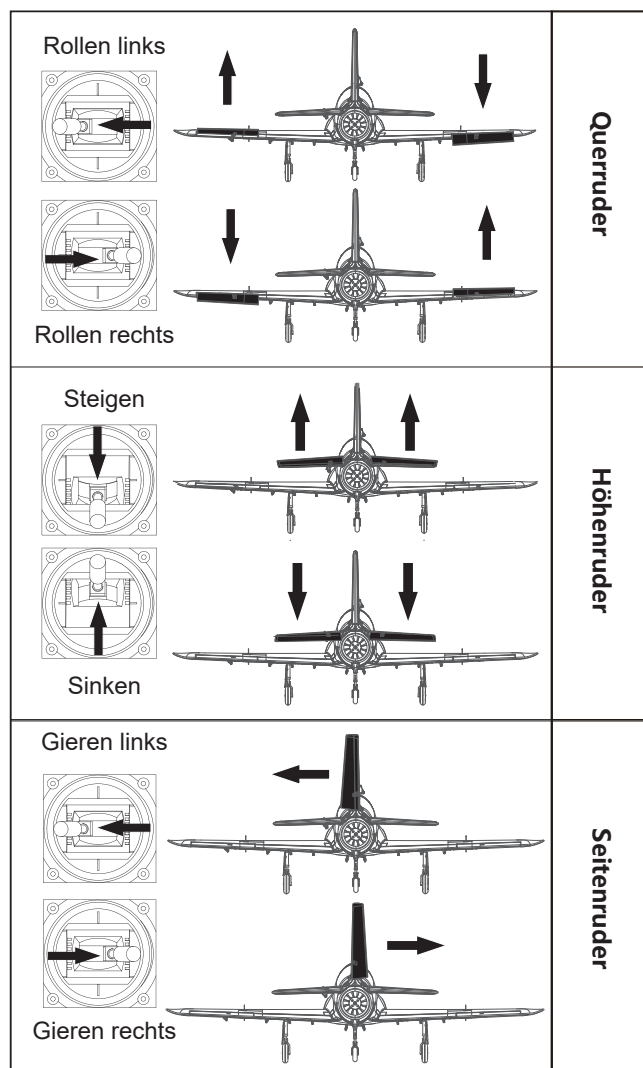
Testen der Steuerfunktionen

Bevor Sie mit diesem Schritt beginnen, binden Sie bitte der Anleitung ihres Senders entsprechend den Empfänger mit dem Sender.

ACHTUNG: Um mögliche Verletzungen zu vermeiden darf der Propeller bei dem Testen der Ruder NICHT auf der Welle montiert sein. Armieren Sie den Regler NICHT und schalten auch nicht den Sender ein bevor es in der Anleitung des Senders vorgeben wird.

TIPP: Stellen Sie sicher, dass alle Steuerhebel auf dem Sender auf der neutralen Position sind und der Gashebel auf Motor aus. Stellen Sie sicher, dass beide Querruder den gleichen Weg im Verhältnis zum Steuerknüppelausschlag ausschlagen.

Bewegen Sie die Steuerhebel des Sender um sicher zu stellen, dass sich die Ruder korrekt bewegen. Sehen Sie dazu die Abbildungen unten. Sollten die Ruder in die falsche Richtung arbeiten reversieren Sie die Funktion. Lesen Sie dazu bitte in der Anleitung des Sender nach.



Ruderausschläge

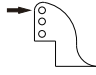


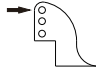

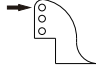


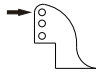

Die empfohlenen Ruderausschlag-Einstellungen sind (Dual Rate):

Tipp: Fliegen Sie das Modell beim ersten Flug mit "normalen Ausschlägen". Wenn Sie zum ersten Mal "maximale Ausschläge" verwenden, sollten Sie bei niedrigen bis mittleren Geschwindigkeiten fliegen.

	Maximale Ausschläge	Normale Ausschläge
Höhenruder	14mm oben / unten	10mm oben / unten
Querruder	16mm oben / unten	12mm oben / unten
Seitenruder	22mm links / rechts	16mm links / rechts
Klappen	50mm oben / unten	40mm oben / unten

Ruderhorn- und Servoarm-Einstellungen

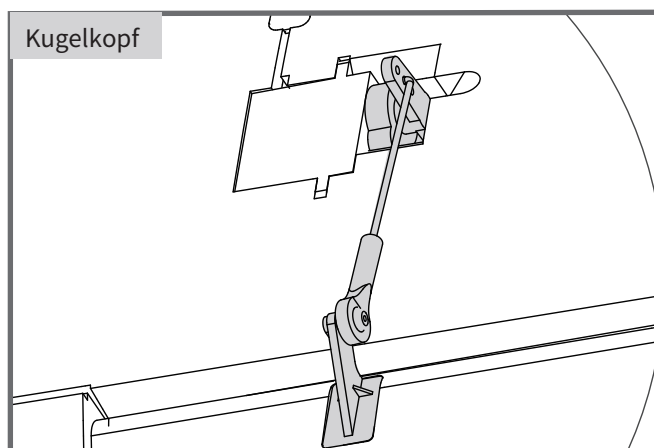
Die Tabelle zeigt die Werkseinstellungen für die Ruderhörner und Servoarme. Fliegen Sie das Flugzeug mit den Werkseinstellungen, bevor Sie Änderungen vornehmen. Nach dem Flug können Sie die Einstellungen nach Ihren Wünschen anpassen.

	Ruderhorn	Servoarm	Mehr Ruderausschlag
Höhenruder			
Seitenruder			Weniger Ruderausschlag
Querruder			
Klappen			

Montage der Anlenkungen

Vor der Montage von Haupttragfläche, Höhen- und Seitenleitwerk werden die Gestänge für Querruder, Wölbklappen, Höhenruder und Seitenruder eingebaut.

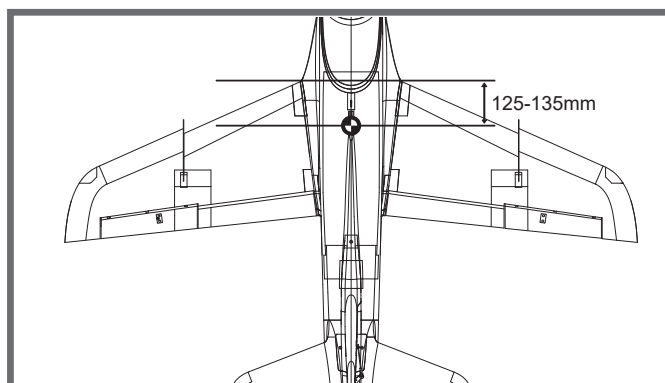
Stellen Sie sicher, dass die Servos in Neutralstellung sind. Befestigen Sie das Anlenkungsstangen für Querruder, Wölbklappen, Höhenruder und Seitenruder an den entsprechenden Löchern in den Querruder-, Wölbklappen-, Höhenruder- und Seitenruderanlenkgestänge von außen wie abgebildet. (Bitte beachten Sie die Abschnitte zur Einstellung der Ruderhörner und Servoarme in der Anleitung). Installieren Sie dann das andere Ende der Anlenkungsstangen am Kugelkopf am Ruderhorn.



Einstellen des Schwerpunkts

Setzen Sie zum Ausbalancieren des Schwerpunktes den Antriebsakku ein. Richten Sie den Akku so aus, dass das Modell gerade oder mit der Nase leicht nach unten zeigt. Nach den ersten Flügen können Sie dann den Schwerpunkt nach ihren persönlichen Vorlieben einrichten.

1. Der empfohlene Schwerpunkt für das Modell befindet sich mit eingesetztem Akku 125-135mm von der Tragflächen vorderkante nach hinten gemessen. Markieren Sie den Schwerpunkt auf der Tragflächenoberseite.
2. Balancieren Sie das Modell auf einer Schwerpunktwaage aus. Bitte beachten Sie dass das Modell dabei flugfertig ausgerüstet sein muss.



Vor dem Erstflug

Finden Sie einen geeigneten Flugplatz

Finden Sie einen Flugplatz frei von Gebäuden, Bäumen, Stromleitungen und anderen Hindernissen. Bis Sie wissen, wie viel Fläche Sie zum fliegen brauchen, wählen Sie einen Platz der mindestens die Größe von 2 bis 3 Fussballfeldern hat. Wählen Sie am besten einen RC Flugplatz eines Modellflugvereins. Fliegen Sie dabei niemals in der Nähe von Menschen - besonders von Kindern, die unvorhersehbar handeln könnten.

Führen Sie einen Reichweitentest für Ihr Modell durch

Als Vorsichtsmaßnahme sollte vor jedem Flug ein Reichweitentest durchgeführt werden, um Probleme zu erkennen, die zu einem Verlust der Kontrolle führen könnten (z.B. schwache Batterien, defekte oder beschädigte Fernsteuerungskomponenten, Funkstörungen). Dies erfordert einen Kollegen oder Assistenten. Schalten Sie zuerst den Sender ein und schließen Sie einen vollgeladenen Akku im Modell an. Achten Sie darauf dass sich der Gasknüppel in Neutralstellung befindet. Andernfalls könnten Propeller oder Lüfter Schäden oder Verletzungen verursachen.

Hinweis: Lesen Sie zum Reichweitentest auch die Bedienungsanleitung Ihrer Fernsteuerung.

Überwachen Sie Ihre Flugzeit

Als Vorsichtsmaßnahme sollte vor jedem Flug ein Reichweitentest durchgeführt werden, um Probleme zu erkennen, die zu einem Verlust der Kontrolle führen könnten (z.B. schwache Batterien, defekte oder beschädigte Fernsteuerungskomponenten, Funkstörungen). Dies erfordert einen Kollegen oder Assistenten.

Schalten Sie zuerst den Sender ein und schließen Sie einen vollgeladenen Akku im Modell an. Achten Sie darauf dass sich der Gasknüppel in Neutralstellung befindet. Andernfalls könnten Propeller oder Lüfter Schäden oder Verletzungen verursachen.

Fluggrundlagen

Starten

Beschleunigen Sie das Modell vorsichtig und steuern Sie es langsam um es gerade zu halten. Erhöhen Sie die Beschleunigung und halten Sie eine gleichmäßige Geschwindigkeit um das Modell in einem schönen Anstellwinkel in die Luft steigen zu lassen.

Fliegen

Wählen Sie immer einen weiten und offenen Platz um das Modell zu fliegen. Besuchen Sie einen RC Flugplatz eines Modellflugvereins. Fliegen Sie auf keinen Fall an Orten, an denen der Betrieb eines ferngesteuerten Flugzeugs nicht zulässig ist (Flughäfen, Naturschutzgebiete, Siedlungen, ...). Nach dem Start bringen Sie Ihr Modell auf eine sichere Flughöhe, bevor Sie Flugmanöver wie Rollen, Loopings oder ähnliches ausprobieren.

Landen

Landen Sie das Modell, sobald Sie eine Leistungsreduzierung bemerken oder Ihr eingestellter Timer ertönt. Stellen Sie Ihren Timer so ein, dass Ihnen genug Flugzeit bleibt, um mehrere Landeanflüge zu haben. Ist das Modell mit einem Fahrwerk ausgestattet können Sie auf harten Pisten landen. Richten Sie das Modell direkt gegen den Wind aus und setzen Sie mit 1/4 bis 1/3 Gas zur Landung an. Bevor das Modell aufsetzt sollte der Gasknüppel in der 0-Stellung stehen um Schäden am Propeller oder anderen Komponenten zu vermeiden.

Instandhaltung

Reparaturen am Schaummodell sollten mit schaumsicheren Klebstoffen wie Heißkleber, Sekundenkleber speziell für Schaumstoff oder 5.min Epoxy erfolgen. Wenn Teile nicht reparierbar sind finden Sie am Ende dieser Anleitung die Ersatzteilliste mit allen Bestellnummern. Überprüfen Sie vor und nach jedem Flug ob alle Schrauben am Modell festgezogen sind. Achten Sie insbesondere darauf, dass Spinner und Luftschraube vor jedem Flug fest sitzen und frei drehen.

Problemlösungen

Problem	Mögliche Ursache	Lösung
Modell nimmt kein Gas an, andere Steuerungsbefehle funktionieren aber	-Regler reagiert nicht -Gaskanal ist umgekehrt	-Gasknüppel ist nicht ganz unten oder Trimmung zu hoch -Gaskanal am Sender umkehren
Ungewöhnliche Propellergeräusche oder Vibrationen	-Spinner, Propeller, Motor oder Motorhalterung defekt -Spinner oder Propeller lose -Propeller falsch herum montiert	-Defekte Teile austauschen -Lose Teile befestigen -Propeller richtig montieren
Zu kurze Flugdauer oder Antrieb ist nicht kraftvoll genug	- Flugakku ist zu leer - Propeller falsch herum montiert - Flugakku defekt	- Vollständiges Aufladen des Flugakkus - Flugakku ersetzen
Ruder bewegen sich nicht oder reagieren nur langsam auf Steuerbefehle	- Ruder, Ruderhörner, Anlenkung oder Servo beschädigt - Kabel beschädigt oder Servostecker lose	- Austauschen oder Reparieren der defekten Teile - Kabel und Stecker überprüfen
Ruder schlagen in die falsche Richtung aus	Kanäle auf dem Sender sind umgekehrt	Testen der Servowegeinstellungen und Konfiguration der Kanäle am Sender
- Motor verliert Leistung	- Motor oder Akku defekt - Stromzufuhr unterbrochen	- Akku, Empfänger, Regler, Motor und Verkabelung überprüfen (austauschen bei Defekt) - Modell unverzüglich landen und überprüfen
LED am Empfänger blinkt langsam	Empfänger hat keinen Strom	- Überprüfen der Verbindung zwischen Regler und Empfänger. - Servos auf Defekt überprüfen. - Überprüfen ob der Empfänger korrekt mit dem Sender gebunden ist

Ersatzteilliste

FMSEV101	90mm Avanti Rumpf	PRESC037	120A Brushless Regler
FMSEV102	90mm Avanti Flügel	PRSER003	Predator 13g digitales Metallgetriebe-Servo positiv mit 300mm Kabel
FMSEV103	Hinterer Rumpf mit Vektorleitwerk	PRSER004	Predator 13g digitales Metall-Getriebe-Servo positiv mit 460mm Kabel
FMSEV104	90mm Avanti Seitenleitwerk	PRSER006	Predator 13g digitales Metall-Getriebe-Servo positiv mit 700mm Kabel
FMSEV105	90mm Avanti Höhenleitwerk	PRSER005	Predator 13g digitales Metallgetriebe servo Rückwärts mit 460mm Kabel
FMSEV106	90mm Avanti Kabinenhaube	FMSCON021	Multi-Steckerset
FMSEV107	90mm Avanti Hauptfahrwerksabdeckung	FMSREX033	E-Retract
FMSEV108	90mm Avanti Anlenkungsstange	FMSREX027	E-Retract
FMSEV109	90mm Avanti LED Satz		
FMSEV110	90mm Avanti Lampenabdeckung		
FMSEV111	90mm Avanti Radsatz		
FMSEV112	90mm Avanti-Rohr		
FMSEV113	90mm Avanti Fahrwerksatz vorne		
FMSEV114	90mm Avanti Hauptfahrwerkssatz		
FMSEV115	90mm Avanti Vorderes Fahrwerkssystem		
FMSEV116	90mm Avanti Hauptfahrwerk System		
FMSEV117	90mm Avanti Abziehbilderbogen		
FMSEV118	90mm Avanti Schraubensatz		
FMSEV119	90mm Avanti Motorhaube		
FMSDFX005	90MM Ducted Fan (12-Blatt)		
PRKVX1950	3670-KV1950 Motor		

Anleitung des Brushless Reglers

Specifications

Model (Regular)	Cont. Current	Peak Current	Input Voltage	BEC Output	Weight	Size
FLYFUN 120A V5	120A	150A	3-8S	5.2V/6V/7.4V adjustable; output power continuous 8A, instantaneous 20A	93g	77*35*19mm

User Guide

Achtung! Der Standard-Gasbereich dieses Reglers ist von 1100µs bis 1940µs (Futaba's Standard); Benutzer müssen den Gasbereich kalibrieren, wenn sie einen neuen SKYWALKER Brushless-Regler oder einen anderen Sender benutzen.

I. Anschlüsse

Beschreibung des Signalkabels:

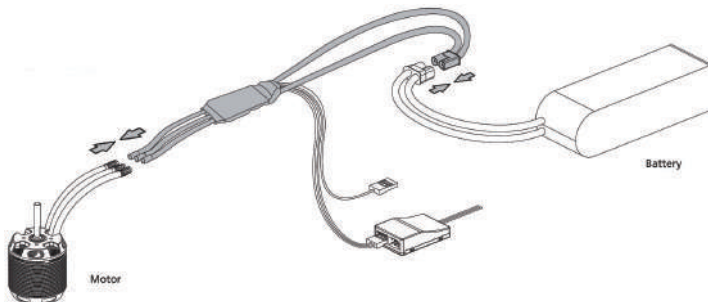
Gas-Signalkabel (weiß/rot/schwarzes dreifarbiges Kabel): Schließen Sie es an den TH-Kanal des Empfängers oder Flugreglers an. Der weiße Draht ist für die Übertragung von Gassignalen, die roten und schwarzen Drähte sind BEC-Ausgangsdrähte. Rückwärtsbrems-Signalkabel (gelbes Kabel): muss in einen beliebigen freien Kanal des Empfängers eingesteckt werden (wenn der Rückwärtsbremsmodus verwendet wird), um das Ein- und Ausschalten der Rückwärtsbremsfunktion zu steuern. Programmierkabel (gelbes Kabel): Schließen Sie es an eine LED-Programmierbox an, wenn Sie den Regler programmieren möchten.

II. ESC/Funk-Kalibrierung

- 1) Schalten Sie den Sender ein und bringen Sie den Gasknüppel in die oberste Position.
- 2) eine Batterie an den Regler anschließen; der Motor gibt einen Ton "♪123" ab, um anzuzeigen, dass der Regler normal eingeschaltet ist.
- 3) der Motor gibt zwei kurze Pieptöne ab, um anzuzeigen, dass der maximale Gasendpunkt akzeptiert wird.
- 4) Bewegen Sie den Gashebel innerhalb von 5 Sekunden nach den beiden kurzen Pieptönen in die untere Position, die minimale Position wird 1 Sekunde später akzeptiert.
- 5) der Motor gibt einen "Number"-Ton ab, um die Anzahl der eingesteckten LiPo-Zellen anzuzeigen.
- 6) der Motor gibt einen langen Piepton ab, um anzuzeigen, dass die Kalibrierung abgeschlossen ist.

III. Normaler Startvorgang

- 1) Schalten Sie den Sender ein und bringen Sie den Gasknüppel in die untere Position.
- 2) Nachdem Sie den Regler an einen Akku angeschlossen haben, zeigt der Motor mit einem "♪ 123" an, dass der Regler normal eingeschaltet ist.
- 3) Der Motor gibt mehrere Pieptöne ab, um die Anzahl der LiPo-Zellen anzuzeigen.
- 4) Der Motor gibt einen langen Piepton ab, um anzuzeigen, dass der Regler einsatzbereit ist.



ESC-Programmierung

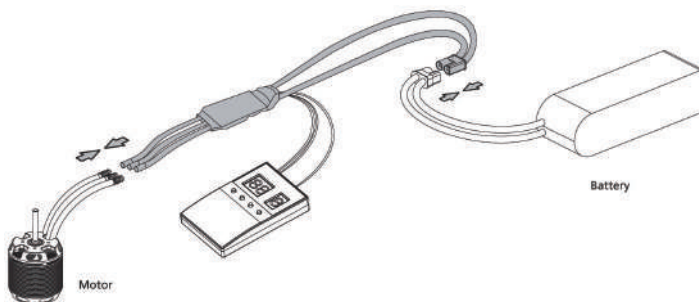
Achtung! Der Standard-Gasbereich dieses Reglers ist von 1100µs bis 1940µs (Futabas Standard); Benutzer müssen den Gasbereich kalibrieren, wenn sie einen neuen SKYWALKER Brushless-Regler oder einen anderen Sender benutzen

I. Anschlüsse

I. Programmieren Sie Ihren ESC mit einer LED ProgramBox Verdrahtung :

- 1) Stecken Sie das Programmierkabel (an Ihrem ESC) in den Programmieranschluss der LED-Programmierbox

Note. Stecken Sie das Gassignal-Kabel in den den Stromanschluss der LED-Programmierbox und das Programmierkabel (gelbes Kabel) in den Programmieranschluss an der LED-Programmierbox.



Anleitung des Brushless Reglers

2). (Bei angeschlossenem Akku an den Regler) müssen Sie nach dem Anschluss einer LED-Programmierbox an den Regler zunächst den Akku abklemmen und dann wieder an den Regler anschließen, um in den Programmiermodus zu gelangen und die Parameter zu überprüfen und einzustellen. Die tragbare Programmbox ist ein optionales Zubehörteil für den Einsatz vor Ort. Seine benutzerfreundliche Oberfläche macht die Programmierung des ESC einfach und schnell. Schließen Sie einen Akku an Ihren Regler an, nachdem Sie die LED-Programmierbox an den Regler angeschlossen haben. Sie können das zu programmierende Element und die gewünschte Einstellung über die Tasten "ITEM" & "VALUE" auf der Programmbox auswählen und dann die "OK"-Taste drücken, um alle neuen Einstellungen in Ihrem ESC zu speichern.

Achtung! Nach dem Einstellen der Parameter müssen Sie den Regler aus- und wieder einschalten. Andernfalls werden die neuen Parameter nicht wirksam.

III. Programmieren Sie Ihren ESC mit dem Sender

Sie besteht aus 4 Schritten: Eintritt in die Programmierung → Auswahl der Parameterpositionen → Auswahl der Parameterwerte → Beenden der Programmierung

1. die Programmierung eingeben Schalten Sie den Sender ein, bringen Sie den Gasknüppel in die oberste Position und schließen Sie einen Akku an den Regler an, 2 Sekunden später piepst der Motor zuerst "B-B-" und dann 5 Sekunden später, um anzuzeigen, dass Sie sich im Programmiermodus des Reglers befinden.

2. wählen Sie die Parameterpositionen

Nachdem Sie die Programmierung eingegeben haben, hören Sie die folgenden 12 Arten von Signaltönen im Kreis. Bewegen Sie den Gasknüppel in die untere Position Innerhalb von 3 Sekunden nach dem Ertönen eines Signaltons wird der entsprechende Parameter eingegeben.

- | | |
|--|---|
| 1. "B-" Brake Type (1 Short B) | 7. "B—B-B-" Timing (1 Long B & 2 Short Bs) |
| 2. "B-B-" Brake Force (2 Short Bs) | 8. "B—B-B-B-" Active Freewheeling (1 Long B & 3 Short Bs) |
| 3. "B-B-B-" Voltage Cutoff Type (3 Short Bs) | 9. "B—B-B-B-B-" Search Mode (1 Long B & 4 Short Bs) |
| 4. "B-B-B-B-" LiPo Cells (4 Short Bs) | 10. "B—B—" Factory Reset (2 Long Bs) |
| 5. "B—" Cutoff Voltage (1 Long B) | 11. "B—B—B-" Exit (2 Long Bs & 1 Short B) |
| 6. "B—B-" Start-up Mode (1 Long B & 1 Short B) | |

Hinweis: Ein langes "B--" entspricht 5 kurzen "B-", d. h. ein langes "B--" und ein kurzes "B-" stellen das sechste Element in "Select Parameter Items" dar.

II. Parameterwerte auswählen

Der Motor piepst verschiedene Arten von Pieptönen in regelmäßigen Abständen, bewegen Sie den Gasknüppel in die oberste Position, nachdem Sie eine Art von Piepton gehört haben. gelangen Sie zum entsprechenden Parameterwert, dann hören Sie, wie der Motor ein "" ausgibt, um anzuzeigen, dass der Wert gespeichert wurde, dann gehen Sie zurück zu "Select Parameter Items" und fahren Sie mit der Auswahl anderer Parameter fort, die Sie anpassen möchten.

Items \ Values (Bs)	Values (Bs)				
	B- 1	B-B- 2	B - B - B - 3	B-B-B-B- 4	B-- 5
Brake Type	Disabled	Normal	*Reverse	Linear Reverse	
Brake Force	*Low	Medium	High		
Voltage Cutoff Type	*Soft	Hard			
LiPo Cells	*Auto Calc.	3S	4S	5S	6S
Cutoff Voltage	Disabled	Low	*Medium	High	
Start-up Mode	*Normal	Soft	Very Soft		
Timing	Low	*Medium	High		
Acitve Freewheeling	*On	Off			
Search Mode	*Off	5min	10min	15min	

I HINWEIS: Die mit * gekennzeichneten Werte sind die werkseitigen Standardeinstellungen.

VI. Beenden Sie die Programmierung

Bewegen Sie den Gasknüppel innerhalb von 3 Sekunden nach dem Ertönen von "zwei langen und einem kurzen Piepton" (vom Motor) in die untere Position. Nun können Sie den Programmiermodus verlassen. Der Motor piepst "Number" um die Anzahl der eingesteckten LiPo-Zellen anzuzeigen und dann einen langen Piepton, um anzuzeigen, dass das Stromversorgungssystem betriebsbereit ist.

Anleitung des Brushless Reglers

Programmierbare Elemente

1. Bremstyp

1.1 Normale Bremse

Wenn Sie diese Option ausgewählt haben, wird die Bremsfunktion aktiviert, wenn Sie den Gashebel in die untere Position bringen. In diesem Modus entspricht der Bremswert der eingestellten Bremskraft.

1.2 Rückwärtsbremse

Nachdem Sie diese Option ausgewählt haben, müssen Sie das Rückwärtsbrems-Signalkabel (der Signalbereich muss derselbe sein wie der Gasbereich) in einen beliebigen freien Kanal des Empfängers eingesteckt werden, und Sie können die Motorrichtung über diesen Kanal steuern. Der Kanalbereich von 0-50% ist die Standard-Motordrehrichtung, und der Kanalbereich von 50% bis 100% bewirkt, dass sich der Motor gegen den Uhrzeigersinn dreht. Der Kanalsteuerknüppel sollte beim ersten Einschalten des Reglers im Kanalbereich von 0-50% (besser 0) stehen. Nachdem die Reverse-Funktion aktiviert ist, bleibt der Motor zunächst stehen, dreht dann in die umgekehrte Richtung und steigt dann auf die Geschwindigkeit die dem Gaspedal entspricht. Entweder Signalverlust, egal ob Rückwärtsbrems- oder Drosselklappensignalverlust während des Fluges, kann dazu führen, dass der Schutz gegen den Verlust des Drosselklappensignals aktiviert wird.

1.3 Lineare Rückwärtsbremse

Nach Auswahl dieser Option muss das Rückwärtsbremsignal in einen beliebigen freien Kanal des Empfängers eingesteckt werden, und Sie können die Motorrichtung über diesen Kanal steuern. Dieser Kanal sollte auf einen linearen Schalter (in der Regel ein Drehknopf am Sender) eingestellt sein. Drehen Sie den Schalter des linearen Kanals, um die Umkehrfunktion zu aktivieren. Die Geschwindigkeit des Motors wird über den linearen Kanalschalter gesteuert. Wenn wird der anfängliche Drosselwert auf 10% gesetzt und der Drosselhub des Linearschalters auf 1,34ms-1,79ms eingestellt. Der Kanalknüppel sollte auf 0% Gas stehen, wenn Sie den Regler zum ersten Mal einschalten. Entweder Signalverlust, egal ob rückwärts Brems- oder Gassignalverlust während des Fluges, kann dazu führen, dass der Gassignalverlustschutz aktiviert wird.

2. Brake Force

This item is only effect in the "Normal brake" mode ,The higher the level, the stronger the braking effect , where the low/medium/high corresponds to the braking force: 60%/90%/100%

3. Art der Spannungsabschaltung

3.1 Weiche Abschaltung

Nach Auswahl dieser Option wird der Regler die Leistung innerhalb von 3 Sekunden nach Aktivierung des Unterspannungsschutzes schrittweise auf 60% der vollen Leistung reduzieren.

3.2 Harte Abschaltung

Nach Auswahl dieser Option schaltet der Regler die Leistung sofort ab, wenn der Unterspannungsschutz aktiviert wird.

4. LiPo-Zellen

Der Regler berechnet automatisch die Anzahl der eingesteckten LiPo-Zellen gemäß der Regel "3,7V/Zelle", wenn "Auto Calc." ausgewählt ist, oder Sie können diesen Punkt manuell einstellen.

5. Abschaltspannung

Wenn diese Option ausgeschaltet ist, ist die Unterspannungsschutzfunktion deaktiviert. Darüber hinaus wird der Schutzspannungswert der Unterspannungsschutzfunktion Der Schutzspannungswert der Unterspannungsschutzfunktion, der den Modi niedrig/mittel/drei entspricht, beträgt etwa 2,8 V/Abschnitt, 3,0 V/Abschnitt und 3,4 V/Abschnitt. Dieser Wert entspricht der Spannung einer einzelnen Batterie, multipliziert mit der Anzahl der Lithiumbatterien, die vom elektronischen Regler automatisch erkannt werden, oder mit der Anzahl der manuell eingestellten Lithiumbatterien, was dem Schutzspannungswert der Batterie entspricht. (Beispiel: Wenn die Schwellenwert für niedrige Spannung Schutzschwelle von 3 Lithiumbatterien mittel ist, beträgt die Schutzspannung der Batterien $3 \times 3.0 = 9.0V$)

6. Anfahrmodus

Hier wird die Gasannahmezeit der ESC-Beschleunigung von 0% bis 100% eingestellt. Normal/Soft/Very Soft entsprechen ca. 200ms/500ms/800ms entsprechend

7. Zeitsteuerung

Hier kann das Timing des Antriebsmotors eingestellt werden. Die Werte niedrig/mittel und hoch sind jeweils: 5°/15°/25°.

8. Aktiver Freilauf (DEO)

Dieses Element ist zwischen "Aktiviert" und "Deaktiviert" einstellbar und ist standardmäßig aktiviert. Wenn sie aktiviert ist, können Sie eine bessere Linearität der Drosselklappe oder eine sanftere Gasannahme.

9. Suchmodus

Nachdem diese Option ausgewählt wurde, wird der ESC den Motor zwischern lassen, wenn der Gashebel auf 0% steht und bis zur eingestellten Zeit weiterfahren.

Anleitung des Brushless Reglers

Trouble Shooting

Troubleshooting

Trouble	Warning Tones	Causes	Solutions
Der ESC funktionierte nicht, nachdem er eingeschaltet wurde und der Motor weiter piepte.	“BB, BB, BB.....”	Die Eingangsspannung lag außerhalb Betriebsspannungsbereich des ESC.	Stellen Sie die Einschaltspannung ein und stellen Sie sicher, dass sie im Betriebsspannungsbereich Bereich des ESC liegt.
Der ESC funktionierte nicht, nachdem er eingeschaltet wurde, während der Motor weiter piept.	“B-, B-, B-, B-.....”	Der ESC empfängt kein Gassignal vom Empfänger.	Prüfen Sie, ob der Sender und der Empfänger gut verbunden sind, wenn eine schlechte Verbindung zwischen dem Regler und dem Empfänger besteht.
Der ESC funktionierte nicht, nachdem er eingeschaltet wurde und der Motor weiter piepte.	“B, B, B, B.....”	Der Gasknüppel wurde nicht in die untere Position gebracht.	Bringen Sie den Gasknüppel in die untere Position und kalibrieren Sie den Gasbereich.
Der ESC funktionierte nicht nach der Gaskalibrierung, während der Motor weiterhin piept.	“B, B, B, B.....”	Der von Ihnen eingestellte Gasbereich war zu eng.	Kalibrieren Sie den Gasbereich neu.
Die ESC-Leistung wurde plötzlich während des Fluges auf 50% reduziert, der Motor piepte nach dem Flug weiter Flug beendet, aber der Akku war aber noch mit dem ESC verbunden	“BB, BB, BB.....”	Der thermische Schutz des ESC wurde aktiviert	Verbessern Sie die Wärmeableitung (z.B. durch Einbau eines Lüfters) oder reduzieren Sie die ESC-Last.
Die ESC-Leistung wurde plötzlich während des Fluges auf 50% reduziert, der Motor piepte nach dem Flug weiter Flug beendet, aber der Akku war aber noch mit dem ESC verbunden	“BBB, BBB, BBB.....”	Die Unterspannungsabschaltung Schutz wurde aktiviert.	Wechseln Sie den Akku; senken Sie die Abschaltspannung oder deaktivieren Sie den LVC-Schutz (wir empfehlen dies nicht).

Vielfacher Schutz

1. Start-up-Schutz:

Der ESC überwacht die Motordrehzahl während des Startvorgangs. Wenn die Drehzahl nicht mehr ansteigt oder der Drehzahlanstieg nicht stabil ist, wird dies vom ESC als Startfehler gewertet. Wenn zu diesem Zeitpunkt die Drosselmenge weniger als 15% beträgt, wird der Regler versuchen, automatisch neu zu starten. Ist er größer als 20 %, müssen Sie den Gashebel zuerst in die untere Position zurückbewegen und dann den Regler neu starten. (Mögliche Ursachen für dieses Problem: schlechte Verbindung/Unterbrechung zwischen dem ESC und den Motorkabeln, blockierte Propeller, usw.)

2. Thermischer Schutz des Reglers:

Der Regler reduziert allmählich die Leistung, schaltet sie aber nicht ab, wenn die Temperatur des Reglers über 120°C steigt. Um sicherzustellen, dass der Motor noch etwas Leistung erhält und keine Abstürze verursacht, beträgt die maximale Reduzierung etwa 60% der vollen Leistung. (Hier beschreiben wir die Reaktion des ESC im Soft-Cutoff-Modus, während im Hard-Cutoff-Modus die Leistung sofort abgeschaltet wird).

3. Schutz vor Gas-Signalverlust:

Wenn der Regler einen Signalverlust von mehr als 0,25 Sekunden feststellt, schaltet er die Leistung sofort ab, um einen noch größeren Verlust zu vermeiden, der durch die kontinuierliche Hochgeschwindigkeitsdrehung von Propellern oder Rotorblättern verursacht werden kann. Der Regler nimmt den entsprechenden Ausgang wieder auf, sobald normale Signale empfangen werden.

4. Überlastungsschutz:

Der Regler unterbricht die Stromzufuhr oder startet sich automatisch neu, wenn die Last plötzlich auf einen sehr hohen Wert ansteigt. (Mögliche Ursache für einen plötzlichen Lastanstieg ist, dass die Propeller blockiert sind).

5. Unterspannungsschutz:

Wenn die Batteriespannung niedriger ist als die vom Regler eingestellte Abschaltspannung, löst der Regler den Unterspannungsschutz aus. Wenn die Batteriespannung auf Soft Cutoff eingestellt ist, wird die Batteriespannung auf maximal 60% der vollen Leistung reduziert. Bei Einstellung auf harte Abschaltung, wird der Ausgang sofort abgeschaltet. Nachdem der Gashebel wieder auf 0% steht, treibt der Regler den Motor an, um den Alarm auszulösen.

6. Schutz bei abnormaler Eingangsspannung:

Wenn die Batteriespannung nicht innerhalb des vom Regler unterstützten Eingangsspannungsbereichs liegt, löst der Regler den Schutz vor abnormaler Eingangsspannung aus. und der Regler steuert den Motor an, um einen Alarm auszulösen.

ATTENTION

ATTENTION : Lisez intégralement ce manuel d'utilisation pour vous familiariser avec les caractéristiques de ce produit avant de l'utiliser. Ne pas utiliser correctement ce produit peut entraîner des dommages au produit, aux biens matériels et causer des blessures graves.

Il s'agit d'un produit de loisir technique, sophistiqué, et non d'un jouet. Il doit être utilisé avec précaution et bon sens, et requiert quelques connaissances de base en mécanique. Ne pas utiliser ce produit en sécurité et de manière responsable peut entraîner des blessures ou des dégâts au produit et envers des tiers. Ce produit n'est pas prévu pour une utilisation par des enfants sans la surveillance directe par un adulte.

Ce manuel contient des instructions concernant la sécurité, l'utilisation et l'entretien. Il est essentiel de lire et de suivre toutes les instructions et de respecter les avertissements de ce manuel avant de monter, de régler ou d'utiliser le produit, de façon à l'exploiter correctement et éviter les dégâts ou blessures graves.

Consignes de sécurité et avertissements

En tant qu'utilisateur de ce produit, vous êtes seul responsable de son utilisation, de manière à ne pas vous mettre en danger, et à ne pas mettre les autres en danger, et à ne pas endommager ce produit ou causer de dégâts à des tiers. Ce modèle est piloté par un signal radio qui peut être soumis à des interférences provenant de sources variées que vous ne contrôlez pas.

Ces interférences peuvent causer une perte momentanée de contrôle, aussi est-il prudent de toujours garder une distance de sécurité dans toutes les directions, autour de votre modèle, cette marge vous aidant à éviter les collisions ou les blessures.

Âge recommandé : Ce produit ne doit pas être utilisé par des enfants de moins de 14 ans. Ce n'est pas un jouet.

- N'utilisez jamais votre modèle avec des piles faibles dans l'émetteur.
- Utilisez toujours votre modèle dans un espace vaste, sans véhicules, sans circulation et sans personnes.
- N'utilisez pas le modèle dans les rues, où vous pourriez occasionner des blessures ou des dégâts.
- N'utilisez jamais le modèle pour quelque raison que ce soit dans la rue ou dans des zones peuplées.
- Suivez soigneusement les instructions et les conseils de ce manuel et ceux des équipements optionnels (chargeurs, accus rechargeables, etc.).
- Tenez tous les produits chimiques, les petites pièces et tout composant électrique hors de portée des enfants.
- L'humidité peut causer des dégâts à l'électronique. Évitez d'exposer à l'eau les équipements non conçus spécialement à cet effet et spécialement protégés.
- Ne léchez pas, et ne placez aucune partie du modèle dans votre bouche, car cela peut entraîner des blessures graves et même la mort.

Avertissement concernant les accus Lithium Polymère (LiPo)

Attention : Suivez toujours les instructions du fabricant pour utiliser les accus et vous en débarrasser. Un mauvais usage d'accus LiPo peut entraîner un incendie, des dégâts matériels ou des blessures graves.

En manipulant, chargeant ou utilisant des accus LiPo, vous assumez tous les risques associés aux accus au Lithium.

- Si à n'importe quel moment, l'accu commence à gonfler, arrêtez immédiatement de l'utiliser !
- Charger ou décharger un accu gonflé peut entraîner un incendie.
- Stockez toujours les accus à température ambiante dans un espace sec pour augmenter la durée de vie de l'accu. Transportez ou stockez toujours les accus dans une plage de températures de 5 à 48 °C. Ne stockez pas les accus ou le modèle dans une voiture ou directement à la chaleur du soleil. Un accu stocké dans une voiture chaude peut être endommagé et éventuellement prendre feu.
- N'utilisez jamais un chargeur pour accus NiMh. Ne pas charger avec un chargeur compatible LiPo peut entraîner un incendie, entraînant des blessures et des dégâts matériels.
- Ne déchargez jamais les éléments LiPo à moins de 3 V par élément.
- Ne laissez jamais une charge se faire sans surveillance.
- Ne chargez jamais un accu endommagé.
- Vous devez charger les accus LiPo uniquement avec un chargeur spécial LiPo. Lisez bien les instructions de votre chargeur avant usage. Quand vous chargez l'accu, vérifiez que l'accu est sur une surface ininflammable. Il est également conseillé de placer les accus LiPo dans un sac résistant au feu que vous trouverez facilement dans les magasins de modélisme ou sur les boutiques en ligne.

Introduction

Lancement de choc pour l'Avanti 90 mm EDF Edition 18e Anniversaire !

Contexte :

L'Avanti de FMS est un avion développé conjointement par l'équipe FMS et l'équipe de Sebart en Italie. Conçu au départ en Italie puis extrapolé avec les standards de conception de FMS, l'Avanti réunit toute l'essence des designs Chinois et Italiens. Avec l'approbation officielle de Sebart, la qualité est encore plus garantie.

A propos du modèle :

Notre conception des produits reste toujours la même : "Apparence parfaite, performances excellentes". En partant de là, nous voulions que l'Avanti 90 mm EDF ressemble le plus possible à l'original, tout en améliorant les performances de maniabilité et les qualités de vol aux basses vitesses de nos jets à turbine de 90 mm précédents. Pour atteindre ces objectifs ambitieux, les ingénieurs ont passé plus d'un an en recherche et développement.

L'avion FMS équipé d'une turbine de 90 mm présente un seuil de décrochage faible, une grande tolérance aux erreurs et une facilité de contrôle lors des virages et spirales. Il est souple et précis en vol, réalisant aisément du vol sur la tranche, du vol dos, les tonneaux, vrilles, boucles et autres figures. Le fuselage arrière peut être upgradé par l'installation d'un ensemble de poussée vectorielle (vendu séparément), à l'intention des modélistes expérimentés voulant se mesurer aux manœuvres exceptionnelles comme les vrilles plates. Les ingénieurs de R&D ont dit à l'issue de la quatrième phase du développement : "Avec l'ensemble vectoriel et le contrôleur de vol Reflex, les modélistes peuvent évoluer vraiment comme ils le veulent dans le ciel". La combinaison d'un ensemble de turbine électrique de 90 mm à 12 pales et à haut rendement, d'un moteur à haute puissance Inrunner 3670-KV1950 et d'un contrôleur brushless 120 A de haute qualité avec la batterie conseillée 6S 5000 à 6000 mAh offre des performances incomparables pour le vol. Le temps de réponse des gaz est quasiment instantané et le son de la turbine est particulièrement immersif. Ce jet à l'échelle combine des qualités de vol très souples d'un avion de sport et une agilité permettant des figures de voltige incroyables et de très hautes vitesses.

De plus, l'Avanti 90 mm EDF intègre les techniques les plus récentes pour sa structure et son montage, comme une cellule entièrement vissée, des commandes sur rotules et un système de multiconnecteur, permettant un montage facile et rapide. Il est équipé d'un train rentrant électronique avec protection contre les surintensités et des jambes en métal à roues tirées usinées CNC. L'Avanti peut ainsi résister à des atterrissages durs. Les pneus résistants à l'usure sont adaptés aux décollages et atterrissages sur des surfaces difficiles. Quatre feux de navigation sont répartis aux extrémités des ailes et sur et sous le fuselage, pouvant clignoter pour ajouter au réalisme et l'intérêt du vol lors de vols crépusculaires.

L'Avanti 90 mm EDF est du premier choix dans sa catégorie, en termes d'assemblage, de qualités de vol au décollage, en vol et à l'atterrissage, et il est idéal pour faire progresser les modélistes expérimentés.

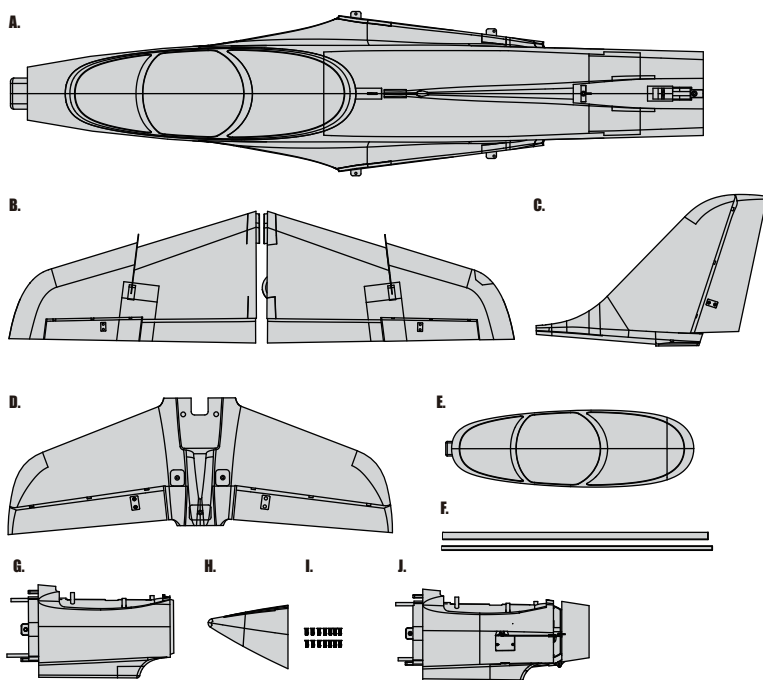
Spécificités :

1. Configuration électronique : Contrôleur brushless 120 A de haute qualité, moteur inrunner 3670 KV1950 à haute puissance, ensemble turbine de 90 mm à 12 pales à haut rendement, servos digitaux de haute précision à pignons métal.
2. Performances et plage de vitesse très polyvalentes, permettant le vol de loisirs, à haute vitesse ou acrobatique ainsi que des décollages et atterrissages en souplesse sans difficulté.
3. Trains rentrants électroniques avec protection contre les surintensités et avec jambes en métal à roues tirées usinées CNC, résistant efficacement aux atterrissages durs.
4. Volets efficaces augmentant significativement le coefficient de portance de l'avion.
5. Feux de navigation réalistes clignotants (à l'exception du feu au-dessus du fuselage) et son de la turbine proche de celui d'un réacteur.
6. Fuselage et ailes en deux parties pour un transport et un stockage faciles.
7. Verrière transparente sur cabine à verrou avec tableau de bord et pilote réalistes.
8. Vaste logement de batterie pour recevoir des batteries de différentes tailles et de fabricants variés.
9. Commandes de vol sur rotules pour plus de débattement et de précision.
10. Montage de la cellule par vis
11. Peinture à base aqueuse respectueuse de l'environnement
12. Mousse EPO 34.5 à haute résistance.

Contenu du kit

Avant le montage, merci de contrôler le contenu du kit. Le schéma ci-dessous détaille le contenu du kit et la numérotation. Si quelque élément est manquant ou défectueux, identifiez le nom ou le numéro de la pièce (reportez-vous à la liste des pièces de rechange page 16 de ce manuel), puis contactez votre magasin local ou contactez-nous : support@fmsmodel.com

Caractéristiques Avanti (Standard)	Caractéristiques Avanti (Avec poussée vectorielle – vendue à part)
Envergure : 1290mm / 50.8 in	Envergure : 1290mm / 50.8 in
Longueur hors tout : 1360mm / 53.5 in	Longueur hors tout : 1440mm / 56.7 in
Poids en ordre de vol : ~ 3200g	Poids en ordre de vol : ~ 3400g
Format du moteur : 3670-KV1950	Format du moteur : 3670 KV1950
Charge alaire : 100 g/dm ² (0.19oz/in ²)	Charge alaire : 106 g/dm ² (0.2oz/in ²)
Surface alaire : 32dm ² (495.8 sq.in)	Surface alaire : 32dm ² (495.8 sq.in)
Contrôleur brushless : 120A	Contrôleur brushless : 120A
Servos : 13gX8pcs	Servos : 13gX10pcs
EDF: 90mm Ducted Fan 12-blade	EDF: 90mm Ducted Fan 12-blade
Batterie recommandée: 22.2V 5000mAh-6000mAh 45c	Batterie recommandée: 22.2V 5000mAh-6000mAh 45c

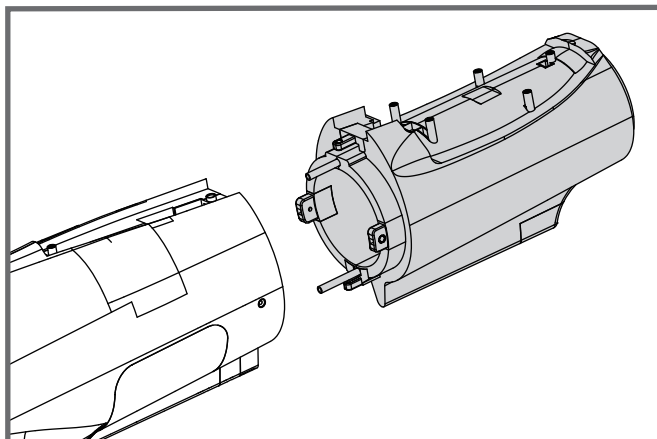


- A : Fuselage avant
- B : Ailes
- C : Dérive
- D : Stabilisateur horizontal
- E : Trappe-cabine
- F : Clés d'ailes
- G : Fuselage arrière
- H : Cône de nez
- I : Vis (HKM3.0x10mm x 11, HKM3.0x16 x 3)
- J : Fuselage arrière avec tuyère vectorielle
(Pièce optionnelle)

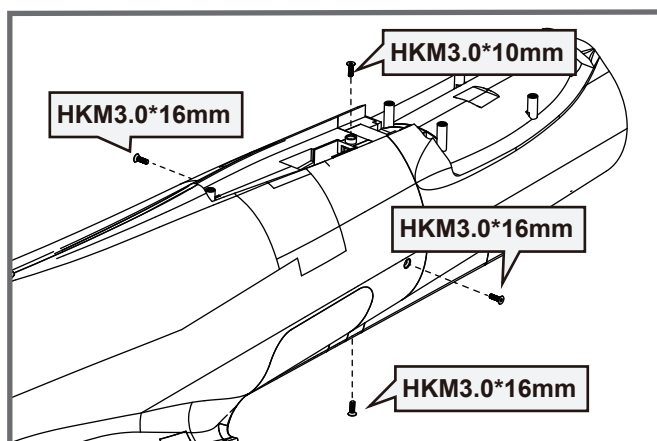
Montage du modèle

Montage du fuselage

1. Alignez les fuselages avant et arrière comme montré.



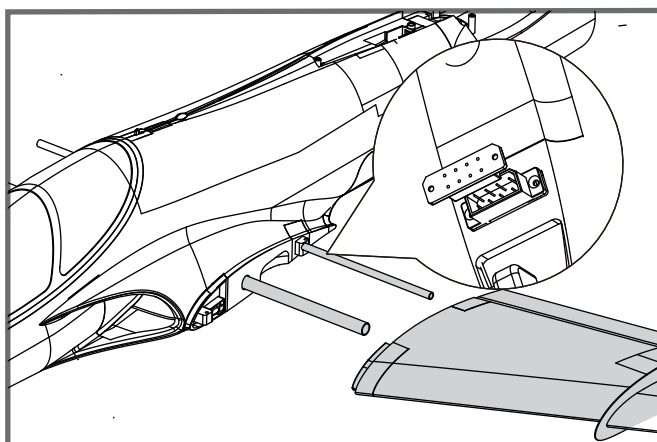
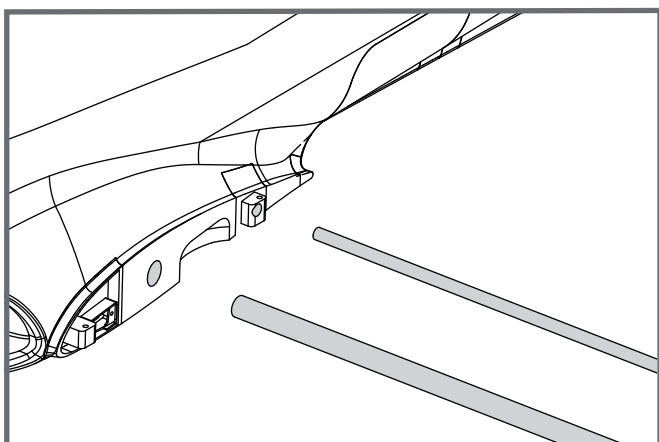
2. Avec les vis fournies (HKM3.0x10mm x 1, HKM3.0x16 x 3), fixez les parties avant et arrière du fuselage sur le dessus, le dessous, et les côtés gauche et droit.



Montage des ailes

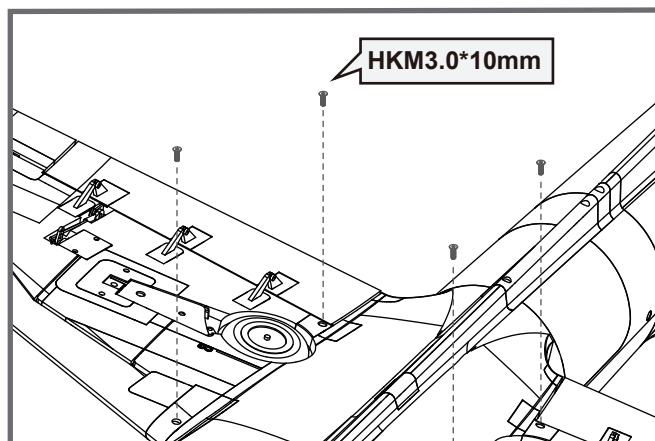
1. Glissez les deux clés d'ailes dans le fuselage comme montré. Glissez ensuite les deux ailes sur les clés d'ailes et dans les logements d'ailes du fuselage.

Note : Les connecteurs de chaque côté doivent être fixés précisément et fermement.



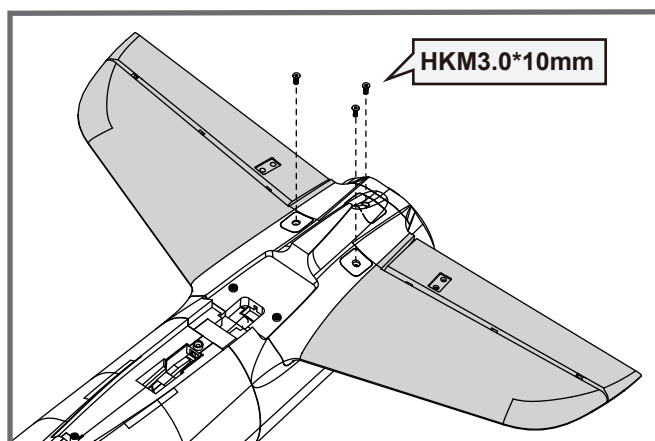
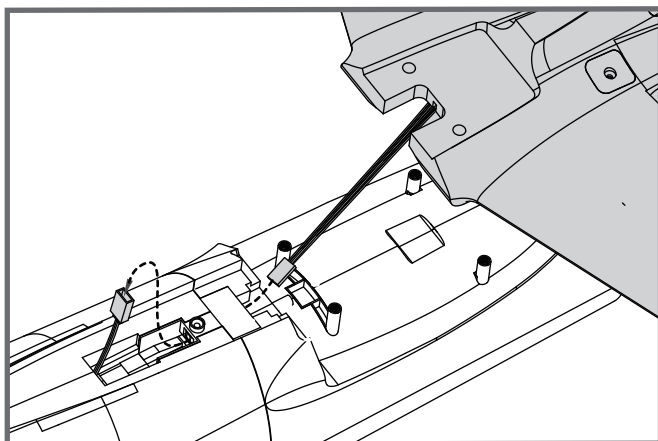
Montage du modèle

2. Fixez les deux ailes au fuselage à l'aide des vis fournies (HKM3.0x10mm x 4).



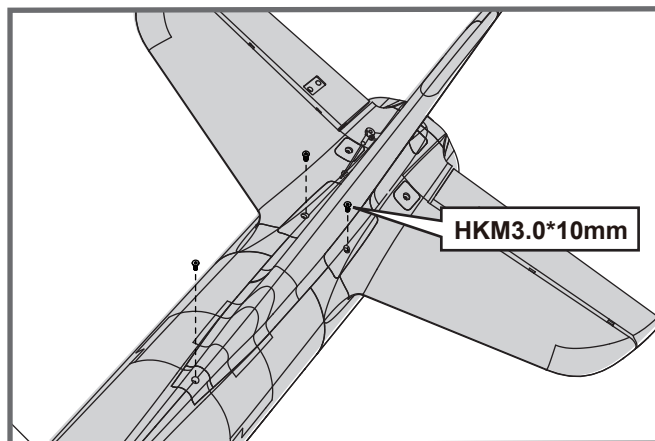
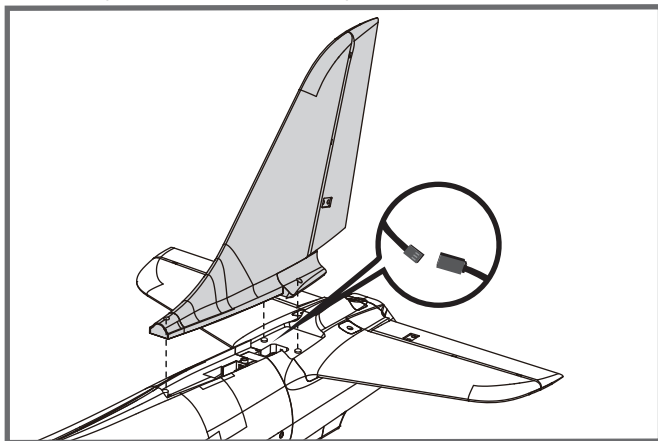
Montage du stabilisateur horizontal

1. Ouvrez le sachet d'accessoires et sortez le cordon en Y. Branchez les fils des servos de profondeur droit et gauche sur le cordon en Y. Ensuite, passez l'autre extrémité du cordon en Y au travers de la pièce en plastique comme montré et branchez-la sur la rallonge marquée « ELE » qui est dans le fuselage.
2. Insérez le stabilisateur horizontal à l'arrière du fuselage et fixez-le en position à l'aide des vis fournies.



Montage de la dérive

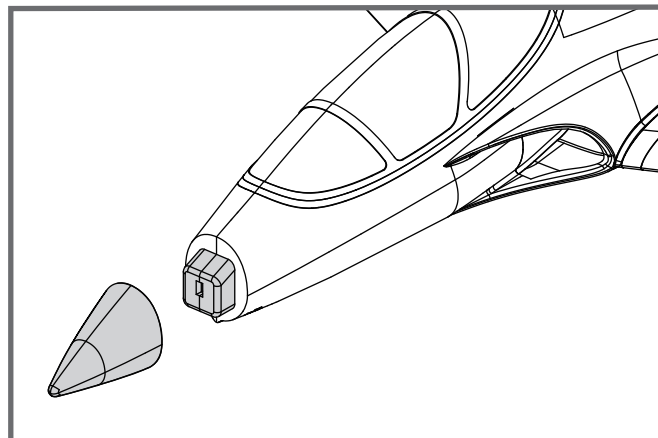
1. Branchez le servo de gouverne de direction sur la rallonge notée « RUD » qui est dans le fuselage. Ensuite, insérez la dérive dans la fente à l'arrière du fuselage et fixez-la en position à l'aide des vis fournies (HKM3.0*10mm x 3).



Montage du modèle

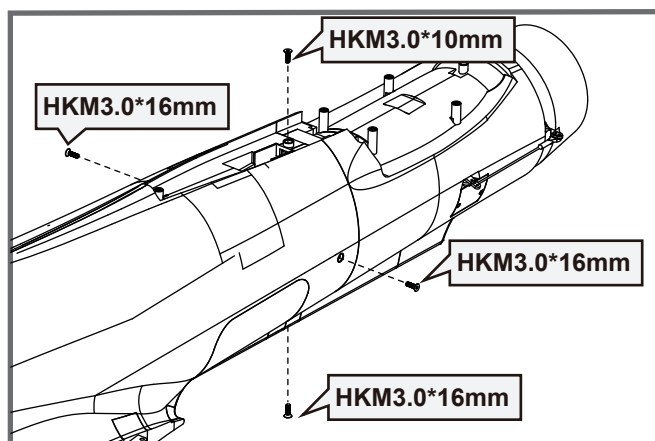
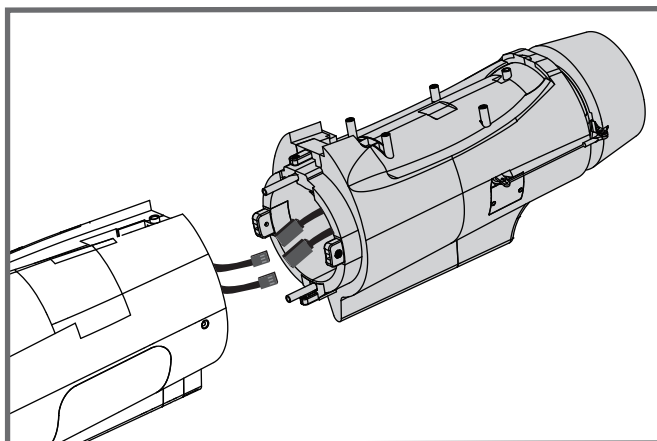
Montage du nez

1. Montez le cône de nez à l'avant du fuselage, en vous assurant qu'il est monté dans le bon sens.



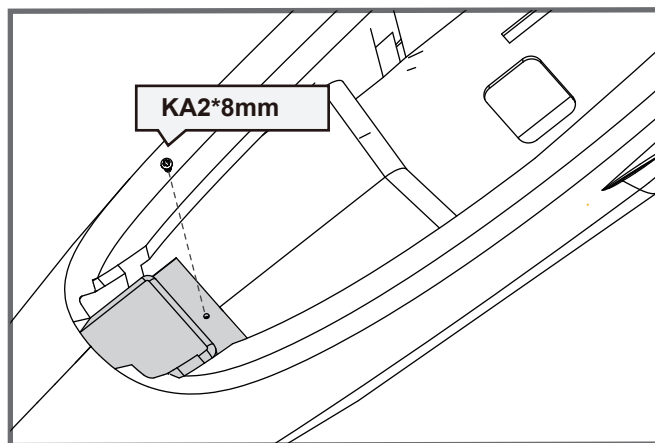
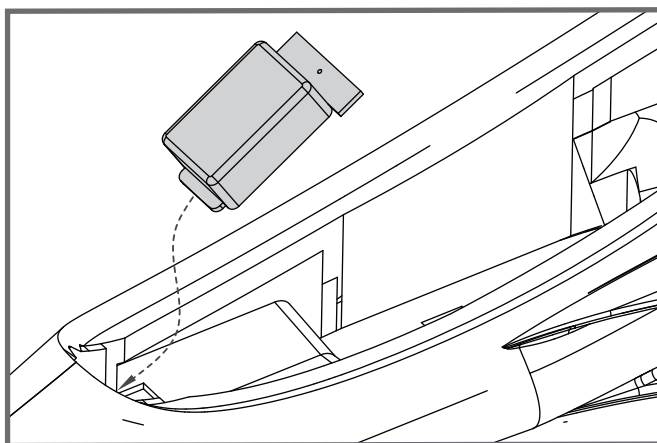
Fuselage arrière avec tuyère vectorielle (vendue à part)

1. Ouvrez le sachet d'accessoires et sortez les rallonges nécessaires (si le nombre de voies du récepteur est insuffisant, le sachet contient deux cordons en Y utilisables par les modélistes). Branchez les fils des servos de commande de la tuyère vectorielle aux rallonges, puis alignez les fuselages avant et arrière comme montré.



2. Avec les vis fournies (HKM3.0x10mm x 1, HKM3.0x16 x 3), fixez les parties avant et arrière du fuselage sur le dessus, le dessous, et les côtés gauche et droit.

3. Ouvrez le sachet d'accessoires et sortez le lest et la vis. Poussez le lest le plus en avant possible dans le nez puis fixez-le en place avec la vis fournie (KA2x8).

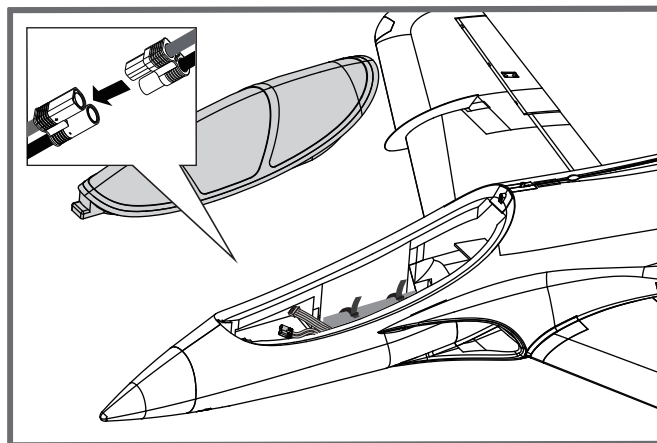


Mise en place de la batterie

1. Enlevez la trappe d'accès à la batterie.
2. Tirez la face "douce" du velcro adhésif situé dans le fuselage.
3. Placez un pack d'accus dans le fuselage et attachez-le avec les sangles d'accu pré-installées

Note : Le centre de gravité peut être ajusté en déplaçant la batterie d'avant en arrière. Il est capital d'avoir un centrage correct afin d'obtenir de bonnes qualités de vol.

Taille du compartiment à piles: 210 x 85 x 65mm



Connexion du récepteur

Les cordons venant de la platine de connexion des servos doivent être connectés à votre récepteur dans l'ordre indiqué. Rangez les fils dans la cavité vers l'arrière du logement de batterie.

Note: L'ordre des voies peut différer selon les marques de radio. Reportez-vous à la notice de votre ensemble radio. L'ordre indiqué est celui utilisé entre autres par Futaba.

		Récepteur
Ailerons	1	Voie 1 —Ailerons
Profondeur	2	Voie 2 —Profondeur
Gaz	3	Voie 3 —Gaz
Direction	4	Voie 4 —Direction
Train	5	Voie 5 —Train
Voie auxiliaire	6	Voie 6 —Aux

Préparation du modèle au vol

Informations importantes concernant le contrôleur brushless et le modèle

1. Le contrôleur brushless inclus dans votre modèle est équipé d'un démarrage sécurisé. Si l'accu de propulsion est branché au contrôleur alors que le manche de gaz n'est en position moteur coupé, le moteur ne démarrera pas tant que le manche n'aura pas été ramené en position moteur coupé. Une fois le manche de gaz en position moteur coupé, le moteur émet une série de "bips". Plusieurs "bips" avec la même tonalité indiquent que le contrôleur a détecté les éléments de l'accu. Le nombre de "bips" correspond au nombre d'éléments détectés. Le moteur est alors armé et démarrera dès que le manche de gaz sera bougé.
2. Le moteur et le contrôleur sont pré-connectés et le sens de rotation du moteur doit être correct. Si pour une quelconque raison, le moteur tourne dans le mauvais sens, inversez simplement deux des trois fils du moteur pour inverser le sens de rotation.
3. Choix et installation de l'accu : Nous conseillons un accu LiPo 22.2V 5000mAh-6000mAh 45c. Si vous utilisez un autre type d'accu, il doit être un 6S (22.2V), avec au moins 5000mAh-3200mAh de capacité et au moins 45C de capacité de décharge. Votre accu doit avoir à peu près la même capacité, les mêmes dimensions et le même poids que l'accu LiPo 22.2V 5000mAh-6000mAh 45c afin de rentrer dans le fuselage sans modifier le centrage de manière significative.

Préparation du modèle au vol

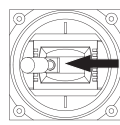

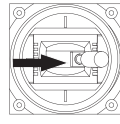
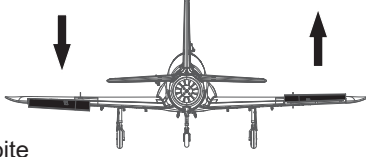
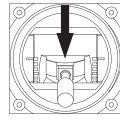
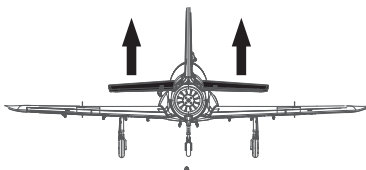
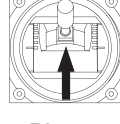
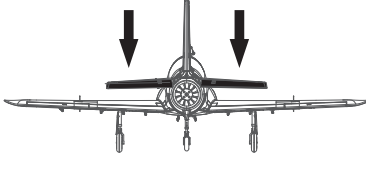
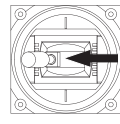
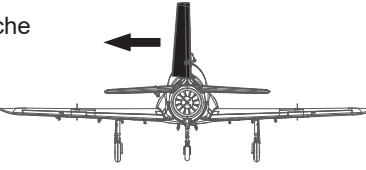
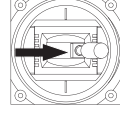
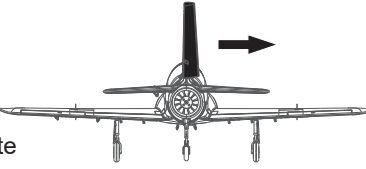
Réglages de l'émetteur et du modèle

Avant de commencer, apparez votre récepteur à votre émetteur. Merci de vous reporter à la notice de votre ensemble radio pour effectuer cette opération correctement.

ATTENTION: Pour éviter les blessures, NE MONTEZ PAS l'hélice sur l'axe du moteur pendant que vous contrôlez les gouvernes. N'armez pas le contrôleur et n'allumez pas l'émetteur tant que le manuel de l'émetteur ne vous le précise pas.

CONSEILS : Assurez-vous que les manches de l'émetteur sont au neutre (Direction, profondeur et ailerons) et que les gaz sont sur "moteur coupé". Assurez-vous que chaque aileron se lève et se baisse de la même valeur. Ce modèle se comporte bien quand les débattements des ailerons vers la gauche et vers la droite sont identiques.

Bougez les commandes de l'émetteur pour vous assurer que les gouvernes réagissent correctement. (Voir les schémas ci-contre).

<p>Incliner à gauche</p>   <p>Incliner à droite</p>  	<p>Ailerons</p>
<p>Cabrer</p>   <p>Piquer</p>  	<p>Profondeur</p>
<p>Lacet à gauche</p>   <p>Lacet à droite</p>  	<p>Direction</p>

Contrôle des débattements

Les débattements conseillés pour votre FMS sont les suivants (Réglages de doubles débattements)

CONSEILS : Pour le premier vol, pilotez le modèle avec les petits débattements. La première fois que vous utiliserez les grands débattements, veillez à voler à vitesse moyenne, c'est uniquement pour des figures EXTRÊMES.

	Grands débattements	Petits débattements
Profondeur	14mm haut / bas	10mm haut / bas
Ailerons	16mm haut / bas	12mm haut / bas
Direction	22mm gauche / droite	16mm gauche / droite
Volets	50mm haut / bas	40mm haut / bas

Réglage des guignols et des palonniers de servos

Le tableau montre les réglages d'usine des guignols et des palonniers de servos. Faites voler le modèle avec les réglages d'usine avant de faire des modifications.

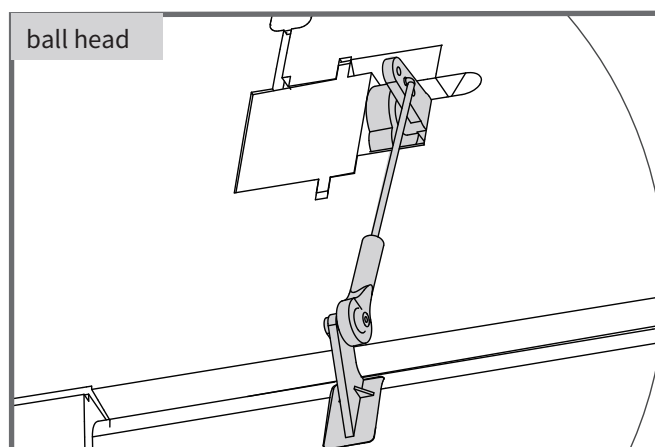
Après avoir volé, vous pouvez choisir de modifier les positions des commandes pour personnaliser la réponse des gouvernes. Reportez-vous au tableau ci-dessous.

	Guignols	Palonniers	Plus de débattement
Profondeur			
Direction			
Ailerons			
volets			

Montage des tringleries de commandes

Avant de monter les ailes, le stabilisateur horizontal et la dérive, il est préférable d'installer par avance les tringleries de commande des ailerons, des volets, des gouvernes de profondeur et de la gouverne de direction.

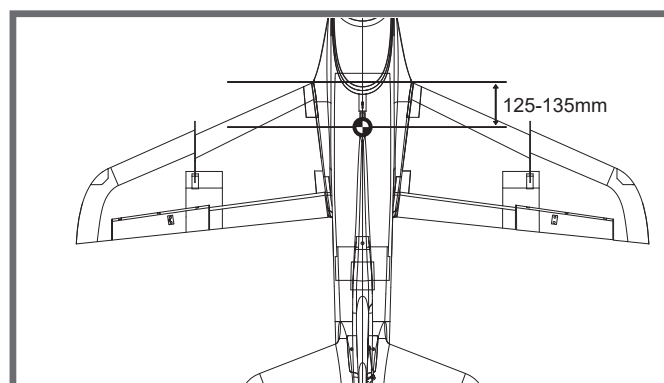
Assurez-vous que les servos sont au neutre. Fixez le pli en « Z » des tringleries d'ailerons, de volets, des gouvernes de direction et de profondeur dans les trous des palonniers des servos correspondants comme montré (reportez-vous au chapitre « Réglage des guignols et des palonniers de servos » du manuel pour utiliser le trou adapté). Ensuite, clipsez la chape sur la rotule du guignol de commande.



Centrage

Quand vous réglez le centrage de votre modèle, ajustez la position de l'accu selon les besoins pour que le modèle soit à plat ou légèrement nez bas. C'est le bon point d'équilibre pour votre modèle. Après les premiers vols, le centrage peut être ajusté en fonction de vos préférences.

1. Le centre de gravité conseillé pour votre modèle est entre 125 et 135mm en arrière du bord d'attaque de l'aile (comme montré) quand le pack d'accus est installé. Tracez la position du centre de gravité sur le dessous de l'aile.
2. Pour équilibrer votre modèle, portez-le au niveau des marques faites sous les ailes, soit sur vos doigts, soit à l'aide d'un équilibreur disponible dans le commerce. C'est le bon point d'équilibre pour votre modèle. Assurez-vous que le modèle est monté et en ordre de vol avant de l'équilibrer.



Avant de faire voler le modèle

Trouvez un site de vol adapté

Trouvez un site de vol dégagé, à l'écart de bâtiments, d'arbres, de lignes électriques ou autres obstacles. Jusqu'à ce que vous sachiez exactement l'espace dont vous avez besoin et que vous maîtrisiez parfaitement votre avion, choisissez un site qui fasse au moins la surface de deux à trois terrains de football. Un site réservé à la pratique de l'aéromodélisme est encore mieux. Ne volez jamais à proximité de personnes, tout particulièrement d'enfants qui peuvent divaguer de façon imprévisible.

Faites un test de portée de votre radio

Par précaution, un test de portée doit être effectué avant le premier vol de chaque session de vol. Le test de portée est une bonne façon de détecter des problèmes qui peuvent entraîner une perte de contrôle, comme des piles faibles, des éléments de la radio défectueux, ou un brouillage radio. En général, il vous faut un assistant et vous devez le faire sur le site même où vous allez voler. d'enfants qui peuvent divaguer de façon imprévisible.

Allumez d'abord votre émetteur, puis montez un accu complètement chargé dans le fuselage. Branchez l'accu sur le contrôleur et placez la trappe.

Pensez à ne pas heurter le manche de gaz, sans quoi, l'hélice se mettra à tourner, pouvant causer des dégâts ou des blessures.

NOTE : Reportez-vous aux instructions de votre ensemble radio pour connaître la procédure de test de portée. Si les commandes ne répondent pas correctement ou si quoi que ce soit semble anormal, ne faites pas voler le modèle avant d'avoir trouvé le problème et de l'avoir corrigé. Assurez-vous que les fils de servos sont correctement connectés sur le récepteur et que les piles ou accus de l'émetteur sont bien chargées.

Surveillez votre temps de vol

Surveillez et limitez votre temps de vol avec un chronomètre (une montre-chrono, ou un chrono sur votre émetteur s'il en est équipé). Quand les accus faiblissent, vous constatez en général une baisse de puissance avant que le contrôleur ne coupe le moteur. Donc, dès que l'avion perd de la vitesse, vous devez atterrir. Souvent (mais pas toujours), vous pouvez remettre le moteur en marche brièvement quand le contrôleur après que le contrôleur ait coupé le moteur, en gardant le manche de gaz tout en bas quelques secondes.

Pour éviter un atterrissage en plané dès votre premier vol, nous vous conseillons de tabler sur une valeur prudente de 4 minutes. Quand les 4 minutes sont atteintes, posez-vous sans attendre.

Pilotage du modèle

Décollage

En mettant progressivement les gaz, maintenez l'axe avec la direction, le modèle va accélérer rapidement. Quand le modèle a assez de vitesse pour voler, mettez-le en montée sur un angle raisonnable et constant. Il va monter avec un bon angle d'attaque(AOA).

Vol

Choisissez toujours une zone vaste et dégagée pour faire voler votre avion. L'idéal est de voler sur le site d'un club d'aéromodélisme. Si ce n'est pas le cas, évitez toujours de voler à proximité de maisons, d'arbres, de lignes électriques et de bâtiments. Vous devez aussi éviter de voler sur des zones très peuplées, comme les parcs publics, les cours d'écoles, ou des terrains de sport. Consultez les lois et règlements locaux avant de choisir votre site de vol. Après le décollage, prenez de la hauteur. Montez pour tester tous les régimes de vol, y compris les hautes et basses vitesses. Après avoir pris en main votre modèle, vous pourrez faire des passages bas et rapides, du vol sur le dos, des loopings et des tonneaux.

Atterrissage

Dès que le moteur de votre modèle donne des à-coups (LVC) ou que vous sentez une diminution de puissance, posez-vous. Si vous avez un émetteur avec un chronomètre, réglez-le pour avoir la possibilité de faire plusieurs approches. Le train tricycle du modèle permet de se poser sur des pistes en dur.

Alignez le modèle face au vent et laissez-le descendre vers le sol. Gardez 1/4 à 1/3 de puissance pour avoir assez d'énergie pour faire un bel arrondi. Avant que le modèle ne touche le sol, réduisez complètement le moteur pour éviter d'endommager l'hélice ou d'autres éléments. La clé d'un atterrissage réussi réside dans le dosage des gaz et de la profondeur dans l'approche finale et durant l'arrondi pour que le modèle touche le sol en douceur sur ses trois roues à la fois.

Pilotage du modèle

Entretien

Les réparations de la mousse doivent se faire avec des colles adaptées aux mousses expansées comme la colle thermofusible, la cyano spéciale mousse, et l'époxy 5 minutes. Si les pièces ne sont pas réparables, consultez la liste des pièces de rechange pour commander à l'aide des références.

Vérifiez toujours que toutes les vis du modèle sont bien serrées. Faites spécialement attention à la fixation du cône avant chaque vol.

Dépannage

Problème	Cause possible	Solution
Le moteur de l'avion ne répond pas, mais les autres commandes répondent.	-Le contrôleur n'est pas armé. -La voie des gaz est inversée.	-Abaissez le manche de gaz et son trim tout en bas. -Inversez la voie des gaz sur l'émetteur.
Bruit excessif de l'hélice ou vibrations excessives.	-Cône, hélice, moteur ou support moteur endommagé. -Hélice ou éléments du cône desserrés -Hélice montée à l'envers	-Remplacez les pièces endommagées. -Serrez l'adaptateur d'hélice, l'hélice et le cône. -Démontez et remontez l'hélice correctement.
Temps de vol réduit ou modèle sous motorisé.	-Accu mal chargé -Hélice montée à l'envers -Accu endommagé	-Rechargez complètement l'accu. -Remontez l'hélice dans le bon sens. -Remplacez l'accu et suivez les instructions de l'accu.
Les gouvernes ne bougent pas, ou réagissent lentement aux ordres	-Gouverne, guignol, tringlerie ou servo endommagé. -Fils endommagés ou connecteurs trop lâches.	-Remplacez ou réparez les éléments endommagés ou réglez les commandes. -Vérifiez les connexions rechargez l'accu
Gouvernes inversées	-Voies inversées sur l'émetteur	-Vérifiez les sens de débattement et réglez les sens depuis l'émetteur.
-Le moteur perd de la puissance. -Le moteur donne des à-coups puis perd de la puissance.	-Moteur ou accu endommagé. -Perte de puissance du modèle. - Le contrôleur passe en mode de coupure de sécurité en raison d'une tension trop faible.	-Vérifiez vos accus, l'émetteur, le récepteur, le contrôleur et les câblages. Remplacez si nécessaire. - Posez l'avion immédiatement et rechargez l'accu.
La LED du récepteur clignote lentement.	Perte de puissance du récepteur	- Vérifiez les connexions entre le récepteur et le contrôleur. - Vérifiez l'état des servos. - Contrôlez les tringleries, pour vérifier si elles ne forcent pas.

Liste de pièces de rechange

FMSEV101	Fuselage Avanti 90 mm
FMSEV102	Ailes Avanti 90 mm
FMSEV103	Fuselage arrière avec tuyère vectorielle
FMSEV104	Derive Avanti 90 mm
FMSEV105	Stabilisateur horizontal Avanti 90 mm
FMSEV106	Verrière Avanti 90 mm
FMSEV107	Trappes de train principal Avanti 90 mm
FMSEV108	Tringleries de commandes Avanti 90 mm
FMSEV109	Jeu de LEDs Avanti 90 mm
FMSEV110	Cabochons de feu Avanti 90 mm
FMSEV111	Jeu de roues Avanti 90 mm
FMSEV112	Clés d'ailes Avanti 90 mm
FMSEV113	Set train avant Avanti 90 mm
FMSEV114	Set trains principaux Avanti 90 mm
FMSEV115	Système train avant Avanti 90 mm
FMSEV116	Système train principal Avanti 90 mm
FMSEV117	Planche décor adhésifs Avanti 90 mm
FMSEV118	Jeu de vis Avanti 90 mm
FMSEV119	Cône de nez Avanti 90 mm
FMSDFX005	Turbine 90 mm (12 pales)
PRKVX1950	Moteur 3670-Kv1950
PRESC037	Contrôleur brushless 120 A
PRSER003	Servo digital 13 g Predator sens normal, cordon de 300 mm
PRSER004	Servo digital 13 g Predator sens normal, cordon de 460 mm
PRSER006	Servo digital 13 g Predator sens normal, cordon de 700 mm
PRSER005	Servo digital 13 g Predator sens inversé, cordon de 460 mm
FMSCON021	Ensemble multiconnecteur
FMSREX033	E-Retract
FMSREX027	E-Retract

Visitez notre site internet pour voir les photos de ces produits : www.fmsmodel.com

Saisissez le mot "ESC" dans la case de recherche pour obtenir le manuel d'utilisation du contrôleur.

Manuel d'utilisation du contrôleur de vitesse brushless

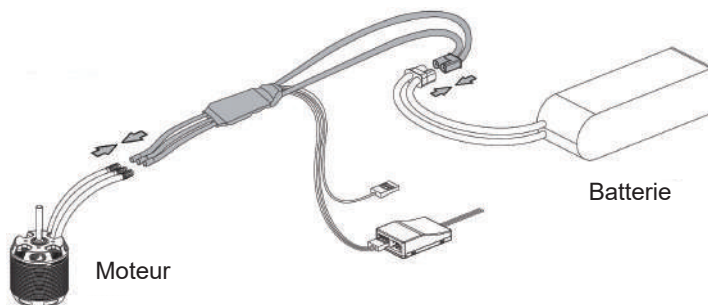
Caractéristiques

Modèle (standard)	Courant continu	Courant en pointe	Tension d'alimentation	Sortie BEC	Poids	Dimensions
FLYFUN 120A V5	120A	150A	LiPo 3S à 8S	5,2V/6V/7,4V Réglable. Courant de sortie en continu 8A, courant de sortie en pointe 20A.	93g	77*35*19mm

Guide d'utilisation

Attention ! La plage des gaz par défaut de ce contrôleur va de 1100 μ s à 1940 μ s (Standard Futaba). Les utilisateurs doivent calibrer la plage des gaz quand ils commencent à utiliser un nouveau contrôleur brushless FLYFUN ou un autre émetteur.

I. Connexions



Description du cordon de signal :

Cordon de signal des gaz (nappe tricolore Blanc/Rouge/Noir) : Branchez-le sur la voie des gaz du récepteur ou du contrôleur de vol. Le fil blanc transmet le signal des gaz. Les fils noir et rouge sont les sorties du BEC.

Fil de signal de reverse (fil jaune) : Il doit être branché sur une voie libre du récepteur (uniquement si vous utilisez le mode reverse) afin de contrôler la fonction ON/OFF de la reverse.

Fil de programmation (fil jaune) : Branchez-le à la boîte de programmation à LEDs si vous voulez programmer le contrôleur.

II. Calibrage Contrôleur/Radio

1. Allumez l'émetteur et placez le manche de gaz en position plein gaz.
2. Branchez la batterie au contrôleur. Le moteur émet une mélodie « ♪123 » pour indiquer que le contrôleur est alimenté normalement.
3. Ensuite, le moteur émet deux bips courts pour indiquer que la fin de course du plein gaz est acceptée.
4. Placez le manche de gaz en position moteur plein réduit (coupé) dans les 5 secondes suivant les deux bips, la fin de course pour les gaz au minimum sera acceptée une seconde plus tard.
5. Le moteur émet un nombre de bips indiquant le nombre d'éléments LiPo que vous avez connecté.
6. Le moteur émet un bip long pour indiquer que le calibrage est terminé.

III. Processus normal de mise sous tension

1. Allumez l'émetteur, et placez le manche de gaz en position basse (gaz minimum).
2. Après connexion de la batterie sur le contrôleur, le moteur émet une mélodie « ♪123 » pour indiquer que le contrôleur est alimenté normalement.
3. Le moteur émet un nombre de bips indiquant le nombre d'éléments LiPo que vous avez connecté.
4. Le moteur émet un bip long pour indiquer que le contrôleur est prêt à l'emploi.

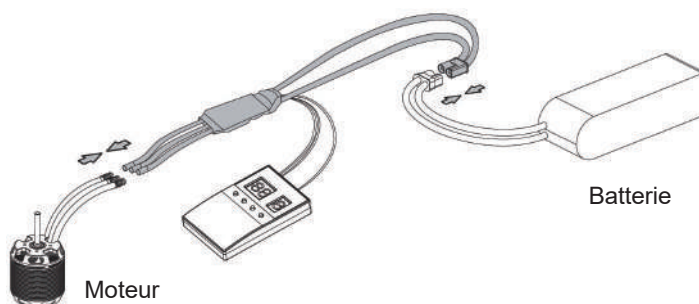
Programmation du contrôleur

I. Programmation du contrôleur avec une boîte de programmation à LED

Câblage :

- 1). Branchez le fil de programmation (de votre contrôleur) sur le port de programmation de la boîte de programmation à LED.

Note : Vous devez brancher le cordon de signal des gaz sur la prise d'alimentation de la boîte de programmation à LED et le fil de programmation (jaune) sur la prise de programmation de la boîte de programmation à LED.



Manuel d'utilisation du contrôleur de vitesse brushless

2). (Avec une batterie connectée sur le contrôleur) Après avoir branché la boîte de programmation à LED sur le contrôleur, vous devez d'abord débrancher la batterie, puis la reconnecter au contrôleur pour entrer dans le mode de programmation, vérifier et régler les paramètres.

La boîte de programmation portable est un accessoire optionnel adapté à l'utilisation sur le terrain. Son interface conviviale rend facile et rapide la programmation du contrôleur. Après avoir connecté le contrôleur à la boîte de programmation à LED, connectez une batterie au contrôleur, tous les paramètres programmables vont s'afficher quelques secondes plus tard. Vous pouvez sélectionner quel paramètre(iteM) vous voulez programmer et le réglage (Value) que vous désirez choisir via les boutons « ITEM » et « VALUE » de la boîte de programmation à LED, puis vous appuyez sur le bouton « OK » pour enregistrer les nouveaux réglages dans votre contrôleur.

Attention ! Vous devez couper l'alimentation de votre contrôleur et le rallumer après le réglage des paramètres. Sans quoi, les nouveaux paramètres ne prennent pas effet.

II. Programmation du contrôleur avec votre émetteur

Cela se fait en 4 étapes : Entrer dans la programmation → Choisir le paramètre → Sélectionner la valeur du paramètre → Sortir de la programmation.

1. Entrer dans la programmation

Allumez l'émetteur, placez le manche de gaz en position « plein gaz », puis branchez la batterie sur le contrôleur. 2 secondes plus tard, le moteur émet d'abord deux bips (Bip-Bip), puis émet une mélodie 5 secondes plus tard pour indiquer que vous êtes dans le mode de programmation.

2. Choisir le paramètre à modifier

Après être entré dans le mode de programmation, vous entendrez les 12 types de signaux sonores suivant en boucle. Placez le manche de gaz tout en bas dans les 3 secondes suivant le signal sonore correspondant au paramètre à régler.

- | | | | | | |
|---------------|--------------------|----------------------------|-----------------|-------------------|------------------------------|
| 1. "B-" | Type de frein | (1 bip court) | 7. "B—B-B-" | Timing | (1 Bip Long & 2 bips courts) |
| 2. "B-B-" | Puissance du frein | (2 bips courts) | 8. "B—B-B-B-" | Roue libre active | (1 Bip Long & 3 bips courts) |
| 3. "B-B-B-" | Type de coupure | (3 bips courts) | 9. "B—B-B-B-B-" | Mode recherche | (1 Bip Long & 4 bips courts) |
| 4. "B-B-B-B-" | Nombre de LiPos | (4 bips courts) | 10. "B—B—" | Réinitialisation | (2 bips longs) |
| 5. "B—" | Tension de coupure | (1 Bip long) | 11. "B—B—B—" | Sortie | (2 bips longs & 1 bip court) |
| 6. "B—B—" | Mode de démarrage | (1 Bip Long & 1 bip court) | | | |

Note : Un bip long ("B—") équivaut à 5 bips courts "B-", donc un bip long et un bip court "B—B-" représentent le 6ème paramètre dans la liste des paramètres sélectionnables.

III. Sélection de la valeur du paramètre

Le moteur va émettre en boucle différents types de signaux sonores. Placez le manche de gaz en position « Gaz maxi » après avoir entendu le signal sonore correspondant à la valeur que vous souhaitez affecter au paramètre en cours de programmation. Vous entendrez ensuite le moteur émettre un signal sonore pour indiquer que la valeur est enregistrée. Ensuite, revenez à la sélection de paramètre et continuez à choisir d'autres paramètres que vous désirez ajuster.

Valeur (Nb de bips) / Paramètre	B- 1	B-B- 2	B - B - B - 3	B-B-B-B- 4	B-- 5
Type de frein	Désactivé	Normal	*Reverse	Reverse linéaire	
Puissance du frein	*Douce	Moyen	Fort		
Type de coupure	*Calcul Aut	Brutale			
Nombre de LiPo	*Auto Calc.	3S	4S	5S	6S
Tension de coupure	Désactivée	Basse	*Moyenne	Haute	
Mode de démarrage	*Normal	Doux	Très doux		
Timing	Faible	*Moyen	Haut		
Roue libre active	*ON	OFF			
Mode de recherche	*OFF	5 minutes	10 minutes	15 minutes	

Note : Les valeurs précédées d'un * sont les valeurs d'usine par défaut.

VI. Sortie du mode de programmation

Placez le manche de gaz tout en bas dans les trois secondes après avoir entendu le moteur émettre « deux bips longs et un bip court » pour sortir du mode de programmation. Le moteur émettra un nombre de bips correspondant au nombre de LiPos connectés et ensuite un bip long pour indiquer que le système est prêt à l'emploi.

Manuel d'utilisation du contrôleur de vitesse brushless

Paramètres programmables

1. Type de frein

1.1 Frein désactivé

Après sélection de cette option, la fonction de frein est désactivée, le moteur peut tourner librement quand vous mettez le manche de gaz en position la plus basse.

1.2 Frein normal

Après sélection de cette option, la fonction de frein sera activée quand vous mettez le manche de gaz en position la plus basse. Dans ce mode, le taux de freinage dépend de la puissance que vous avez choisie.

1.3 Reverse

Après sélection de cette option, le fil de signal de reverse (sa plage de signal doit être la même que celle de la plage des gaz) doit être connecté à une voie libre du récepteur et vous pouvez contrôler le sens de rotation du moteur depuis cette voie. Par défaut, la plage de la voie entre 0 et 50 % sera le sens par défaut du moteur et la plage entre 50 et 100 % fera tourner le moteur en sens inverse. L'inter contrôlant la voie de commande de reverse doit donner entre 0 et 50 % lors de la mise sous tension du contrôleur (0 % est préférable). Une fois la fonction reverse activée, le moteur commence par s'arrêter, puis il tourne en sens inverse et augmente son régime en fonction de la position du manche de gaz. En cas de perte de signal en vol, peu importe que ce soit le signal des gaz ou celui de la fonction reverse, la protection de perte de signal sera activée.

1.4 Reverse linéaire

Après sélection de cette option, le fil de signal de reverse doit être connecté à une voie libre du récepteur et vous pouvez contrôler le sens de rotation du moteur depuis cette voie. Cette voie doit être contrôlée depuis un organe de commande proportionnelle (en général un potentiomètre rotatif, ou linéaire sur l'émetteur). Tournez ou glissez le potentiomètre pour activer la fonction reverse. La vitesse du moteur est contrôlée par le potentiomètre. Lors de l'utilisation de la reverse, la valeur initiale des gaz commence à 10 % et la course des gaz du potentiomètre est calée entre 1,34 ms et 1,79 ms. L'organe de commande proportionnelle de la voie de reverse doit être à 0 % quand vous mettez le contrôleur sous tension. En cas de perte de signal en vol, peu importe que ce soit le signal des gaz ou celui de la fonction reverse, la protection de perte de signal sera activée.

2. Puissance du frein

Ce paramètre n'a d'effet que dans le mode « Freinage normal ». Plus haut est le niveau, plus puissant est l'effet de freinage. Les valeurs Faible/Moyen/Fort correspondent à 60 %/90%/100%.

3. Type de coupure

3.1 Coupure douce

Après sélection de cette option, le contrôleur réduit progressivement la puissance de sortie jusqu'à 60 % de la pleine puissance en 3 secondes, après que la protection contre la tension faible se soit activée.

3.2 Coupure brutale

Après sélection de cette option, le contrôleur coupe brutalement la puissance de sortie du moteur dès que la protection contre la tension faible est activée.

4. Nombre de LiPos

Si vous avez sélectionné « Calcul Auto », le contrôleur calcule automatiquement le nombre d'éléments LiPo que vous avez connecté selon la loi du « 3,7 V par élément ». Vous pouvez aussi sélectionner manuellement le nombre d'éléments.

5. Tension de coupure

Si vous avez sélectionné l'option « OFF », la protection en cas de tension faible est désactivée. De plus, la valeur de la tension de protection en cas de tension faible correspondant aux options Basse/Moyenne/Haute est d'environ 2,8V/3,0V/3,4V par élément. Cette valeur est la tension d'un élément multiplié par le nombre d'éléments de batteries au lithium identifié automatiquement ou spécifié manuellement et constitue la tension de protection du pack. (Par exemple, si vous avez sélectionné « Moyen » pour un pack LiPo 3S, la tension de protection (coupure) sera de $3 \times 3,0 \text{ V} = 9,0 \text{ V}$)

6. Mode de démarrage

Il sert à ajuster le délai de réponse de l'accélération au démarrage de 0 à 100 %. Normal/Doux/Très doux correspondent respectivement environ à 200 ms/500 ms/800 ms.

7. Timing

Permet d'ajuster la valeur du timing du moteur. Faible/Moyen/Haut correspondent respectivement à 5°/15°/25°.

8. Roue libre active (DEO)

Ce paramètre peut être sur « Activé » ou « désactivé ». Il est activé par défaut. Quand il est activé, vous avez une meilleure linéarité ou une réponse plus douce des gaz.

9. Mode recherche

Si vous avez sélectionné cette option, le contrôleur fait émettre un signal sonore au moteur quand les gaz sont maintenus à 0 % et cela continuera jusqu'à la fin de la durée programmée.

Manuel d'utilisation du contrôleur de vitesse brushless

Dépannage

Dépannage

Problème	Signal sonore	Cause	Solutions
Le contrôleur ne fonctionne pas après mise sous tension alors que le moteur bipé continuellement.	"BB, BB, BB....."	La tension d'entrée est supérieure à la plage de tension de fonctionnement du contrôleur.	Ajustez la tension d'alimentation et assurez-vous qu'elle est dans la plage de tension d'utilisation du contrôleur.
Le contrôleur ne fonctionne pas après mise sous tension alors que le moteur bipé continuellement.	"B-, B-, B-, B-....."	Le contrôleur ne reçoit aucun signal des gaz depuis le récepteur.	Vérifier si l'émetteur et le récepteur sont appairés, s'il n'y a pas un mauvais contact entre le contrôleur et le récepteur.
Le contrôleur ne fonctionne pas après mise sous tension alors que le moteur bipé continuellement.	"B, B, B, B....."	Le manche de gaz n'est pas en position gaz coupés.	Placez le manche de gaz tout en bas et calibrez la plage des gaz.
Le contrôleur ne fonctionne pas après mise sous tension alors que le moteur bipé continuellement.	"B, B, B, B....."	La plage de gaz que vous avez réglée est trop étroite.	Recalibrez la plage des gaz.
La sortie du contrôleur se réduit brutalement à 50 % en plein vol, le moteur continue à bipé après le vol alors que la batterie est toujours branchée sur le contrôleur.	"BB, BB, BB....."	La protection thermique du contrôleur a été activée.	Améliorez la dissipation thermique (par exemple avec un ventilateur), ou réduisez la charge du contrôleur.
La sortie du contrôleur se réduit brutalement à 50 % en plein vol, le moteur continue à bipé après le vol alors que la batterie est toujours branchée sur le contrôleur.	"BBB, BBB, BBB....."	La protection contre une tension trop faible du contrôleur a été activée.	Changez le pack d'accus. Abaissez la tension de coupure ou désactivez la protection LVC (Non conseillé).

Protections multiples

1. Protection au démarrage :

Le contrôleur va surveiller le régime du moteur durant le processus de démarrage. Quand la vitesse cesse d'augmenter ou que l'augmentation de vitesse n'est pas stable, le contrôleur prend cela pour un échec du démarrage. A ce moment, si le taux de gaz est inférieur à 15 %, le contrôleur va essayer de redémarrer automatiquement. Si le taux de gaz est supérieur à 20 %, vous devez ramener le manche de gaz tout en bas, puis redémarrer le contrôleur. (Causes possibles du problème : mauvaise connexion ou mauvais contact entre les fils du moteur et du contrôleur, hélice bloquée, etc.)

2. Protection thermique du contrôleur :

Quand la température du contrôleur dépasse 120°C, le contrôleur réduit progressivement la puissance de sortie, mais ne coupe pas complètement. Pour assurer que le moteur a encore assez de puissance et ne va pas entraîner un crash, la réduction maximum est d'environ 60 % de la pleine puissance. (Ceci décrit la réaction du contrôleur en mode de coupure douce. En mode de coupure brutale, le contrôleur coupe immédiatement la puissance.)

3. Protection contre la perte de signal des gaz :

Quand le contrôleur détecte une perte du signal des gaz de plus de 0,25 seconde, il coupe immédiatement la puissance de sortie pour éviter des dégâts encore plus importants pouvant être causés par une rotation continue à haut régime des hélices ou des pales de rotor. Le contrôleur redonne la puissance de sortie dès qu'un signal normal est à nouveau reçu.

4. Protection contre la surcharge :

Le contrôleur coupe la puissance de sortie ou redémarre automatiquement quand la charge augmente soudainement vers une valeur très élevée. (Cause possible d'une augmentation brutale de la charge : l'hélice est bloquée.)

5. Protection contre une tension d'alimentation faible :

Quand la tension de la batterie est inférieure à la tension de coupure réglée sur le contrôleur, le contrôleur déclenche la protection de tension faible. Si le type de coupure est réglé sur « Coupure douce », la réduction de puissance pourra atteindre 60 % de la pleine puissance. Si le type de coupure est réglé sur « Coupure brutale », la puissance de sortie est coupée immédiatement. Après avoir replacé le manche de gaz à 0 %, le contrôleur va faire émettre une alarme sonore au moteur.

6. Protection contre une tension d'entrée anormale :

Quand la tension de la batterie n'est pas dans la plage de tension d'alimentation acceptée par le contrôleur, le contrôleur déclenche la protection contre la tension d'entrée anormale, le contrôleur fait émettre une alarme sonore au moteur.

警告

警告:在组装、调整及飞行前请务必认真阅读产品说明书以熟知产品的特性。请严格按照说明书提示进行飞机的组装、调整及飞行。如操作不当会造成产品本身损坏及其它财产损失,甚至造成严重的人身伤害。

声明:模型不是玩具,具有一定的危险性,操作者需要具备一定的飞行经验,初学者请在专业人士指导下操作。禁止十四岁以下儿童操作、飞行。

安全须知

本产品飞行由无线电遥控器控制,在飞行过程中可能会受到外界强信号源干扰而导致失控,甚至坠机。因此,在飞行过程中务必始终与飞机保持一定的安全距离,避免意外碰撞、受伤。

- 请勿在发射器电池低电量的情况下操纵模型飞机。
- 请勿在公路、人群、高压线密集区、机场附近及其它法律法规明确禁止飞行的场合飞行。
- 请勿在雷雨、大风、大雪或者其它恶劣气象环境下飞行。
- 请严格遵照产品指导说明及安全警告操作本产品及其相关配置(例如充电器、电池等)。
- 请勿将相关化工类产品、零部件、电子部件等置于儿童可触及的范围。
- 请勿将电子件暴露于潮湿的环境中,以免造成损坏。
- 请勿将本品任意处置于口中,以免造成人身伤亡。

锂聚合物电池使用安全须知

- 使用锂聚合物电池时,须严格遵守制造商说明、要求并了解相关风险,使用不当会导致锂聚合物电池起火,从而造成严重的财产损失甚至人身伤害。
- 禁止使用变形、胀气的锂聚合物电池。
- 禁止使用过充、放电的锂聚合物电池,避免发生危险。长时间不使用须将锂聚合物电池放电至存储电压(3.8~3.85V/节)。锂聚合物电池须储存在室内干燥区域(4.5~48.5°C),禁止将锂聚合物电池置于阳光下暴晒或车内,高温可能会导致锂聚合物电池起火,造成财产损失和人身伤害。
- 请使用专用充电器对锂聚合物电池进行充放电,禁止使用其它如:镍氢电池充电器。充放电时,禁止将锂电池放置于高温物体表面,建议使用锂电池防爆袋。不正确的充放电操作会对锂聚合物电池造成损伤,甚至会引起火灾,造成财产损失和人身伤害。
- 禁止将锂聚合物电池单节电压放至低于3V,禁止给已损坏的锂聚合物电池充电。
- 锂聚合物电池充放电须在有人看管的情况下进行,避免发生意外造成不必要的损失。

飞机电池充电警告:

请确保使用合格的电池充电器给锂电池充电。在使用充电器前,请认真阅读充电器说明书。充电过程中,请确保把电池置于耐热的表面。建议把锂电池置于防火充电袋内充电,防火充电袋可在相关模型实体店或网上买到。

产品特点

90mm 阿凡提 (Avanti) 18周年纪念版震撼上市!

背景介绍:

FMS 阿凡提是一款由FMS团队和意大利Sebart团队共同合作开发的飞机。原设计来自于意大利,融入FMS的设计理念,这款阿凡提集合了中意两国设计师的精华设计思维。Sebart公司官方授权,品质更有保证。

关于本机:

在研发之初,我们的设计理念保持不变仍旧是“精于静,精于动”,它落实到这架90mm涵道阿凡提上就是,机型轮廓无限趋近于原型机,同时性能优越于前作,即机动性能和低速性能均要青出于蓝,研发工程师们用一年的时间交了满分答卷。

FMS 90mmEDF阿凡提失速点低,容错率高,急转盘旋易操控,翻身灵活,动作精准,可从容完成侧飞、倒飞、横滚、螺旋、筋斗等各种机动动作,后机身可升级安装矢量喷口(需另购),以供有经验的玩家挑战落叶飘等超机动动作。“有了矢量和锐飞飞控,玩家想怎么飞就怎么飞,在天空之上为所欲为。”第四阶段的测试结束,研发工程师这样评价样机。

高效率90mmEDF 12叶涵道组、高推力内转3670-KV1950电机和高品质120A电调的搭配组合,搭配6S 5000-6000mAh 45C电池,给整架飞机提供无与伦比的性能,油门几乎瞬间相应,声浪极具临场感。90mm EDF阿凡提机型结构优越,与动力系统相辅相成,可四平八稳悠闲飞行,可大开大合疾速飞行,也可飘逸轻灵炫技飞行。

此外,90mmEDF阿凡提采用最新的结构和组装技艺,如螺丝组装结构、球头舵面链接、多功能排插,使其可以在很短的时间内完成组装步骤蓄势待发;采用堵转模式的电子收放系统和CNC加工的跪形结构金属起落架,有效抵抗暴力降落;采用大尺寸耐磨轮胎,适应粗糙路面条件下的起降;四个航灯分布于两侧翼尖和上下机身,其中翼尖航灯与机身底部航灯均可闪烁,给落日背景下的飞行增加像真度和趣味性。

90mm EDF 阿凡提从组装、起飞、飞行、降落各个维度来说都是同级别涵道机里的首选,非常适合有经验的玩家进阶飞行。

特征

1. 电子配置:高品质120A电调,高动力内转3670 KV1950电机,高效率90mm 12叶涵道组,高精度金属数码舵机。
2. 极宽的性能范围和速度范围,可进行运动休闲飞行、疾速飞行和特技飞行,整体起飞、飞行和降落过程轻松流畅。
3. 带过流保护的堵载模式电子收放和CNC加工跪形结构金属起落架,有效抵抗暴力降落。起落架添加粘性强的阻尼硅油,行程更畅顺,缓冲力更平均。
4. 功能性襟翼,显著提高飞机的升力系数。
5. 仿真闪烁航灯(机身顶部航灯除外)和类似涡轮的仿真声浪。
6. 两段式机身和主翼,便利存储和运输。
7. 卡扣结构全透明驾驶舱,含像真仪表盘和飞行员人偶。
8. 大尺寸电池舱,便于安放不同厂家不同尺寸电池。
9. 出厂预安装球头舵角,有效减小结构虚位,增大舵面行程。
10. 螺丝组装结构。
11. 环保水性漆
12. 高强度EPO34.5泡沫

产品组成

在组装产品之前,请仔细检查以下配件,如有缺失或者损坏,请及时联系当地店面或者邮件至厂家(support@fmsmodel.com),告知缺失或损坏的配件名称及编码(请在本说明书尾页查看相应的配件编码)。请注意,不同配置,包装盒内物品不同。

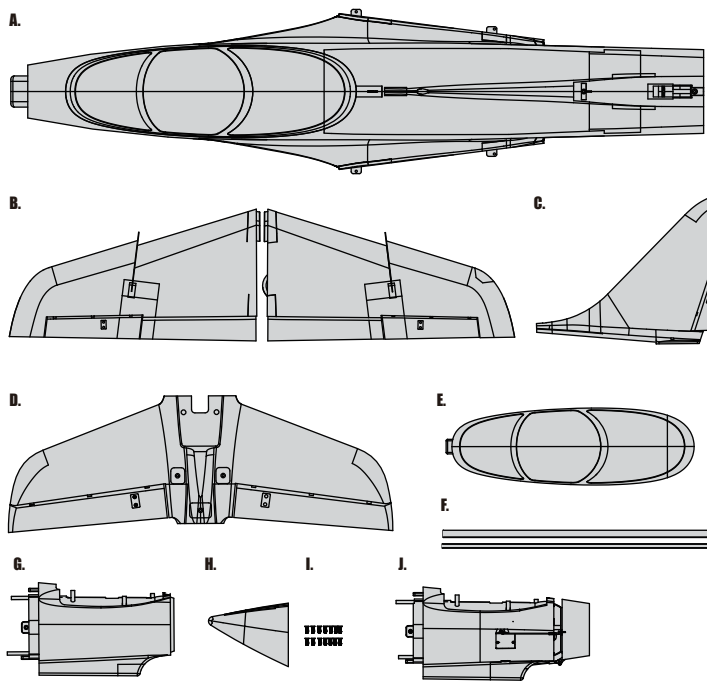
标准版 产品参数

翼展:1290mm /50.8 in
机身长:1360mm /53.5 in
飞行重量: ~ 3200g
电机: 3670 KV1950
翼载荷:100 g/dm ² (0.19oz/in ²)
翼面积: 32dm ² (495.8 sq.in)
电调: 120A
舵机: 13gX8
涵道: 90mm12叶
推荐电池: 22.2V 5000mAh-6000mAh 45c

带矢量喷口版本 产品参数

翼展:1290mm /50.8 in
机身长:1440mm /56.7 in
飞行重量: ~ 3400g
电机: 3670 KV1950
翼载荷:106 g/dm ² (0.2oz/in ²)
翼面积: 32dm ² (495.8 sq.in)
电调: 120A
舵机: 13gX10
涵道: 90mm12叶
推荐电池: 22.2V 5000mAh-6000mAh 45c

(矢量喷口需另购)

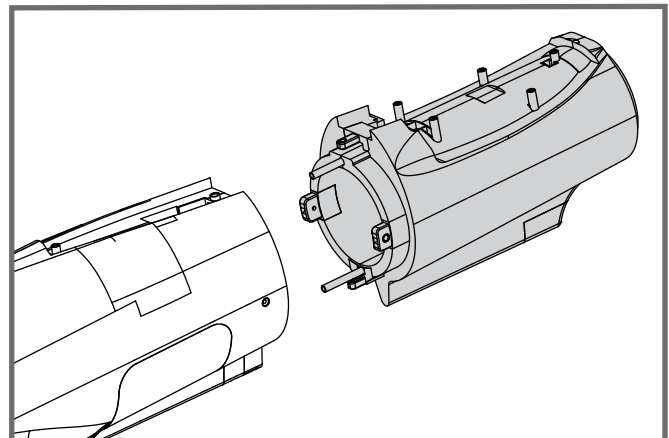


- A:前机身
- B:主翼
- C:垂尾
- D:平尾
- E:座舱组
- F:主翼连接杆
- G:后机身
- H:机头罩
- I:螺丝组(HKM3.0*10mm x 11, HKM3.0*16 x 3)
- J:矢量后机身 (需另购)

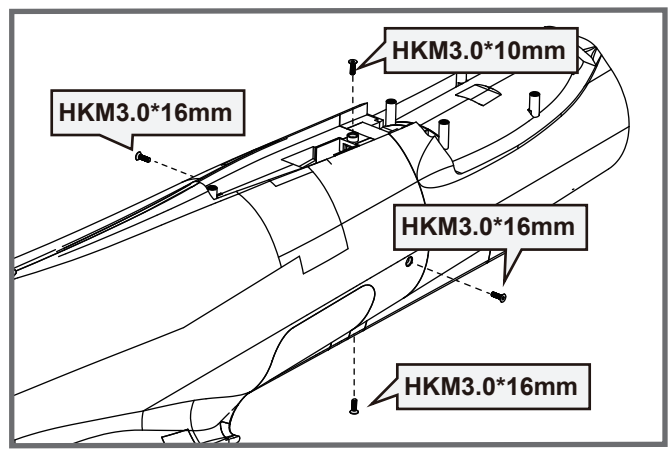
机体安装

机身安装

1. 如图所示,对准安装前、后机身。



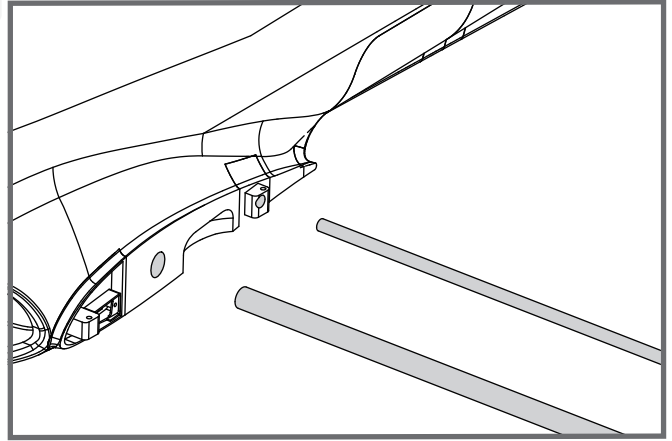
2. 使用所附螺丝 (HKM3.0*10mm x 1, HKM3.0*16 x 3) 分别从上、下、左、右四个方向将前后机身固定到位。



机体安装

主翼安装

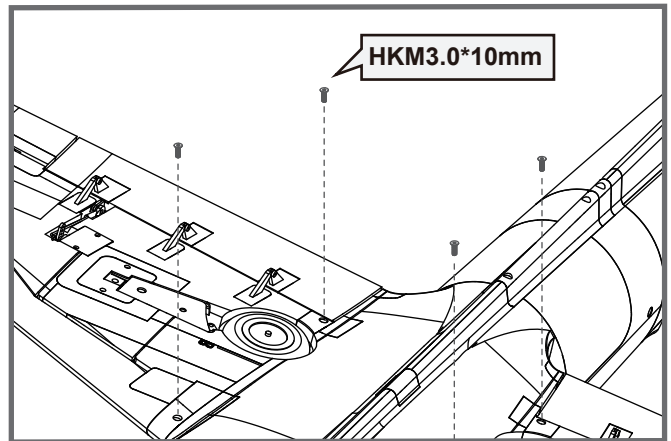
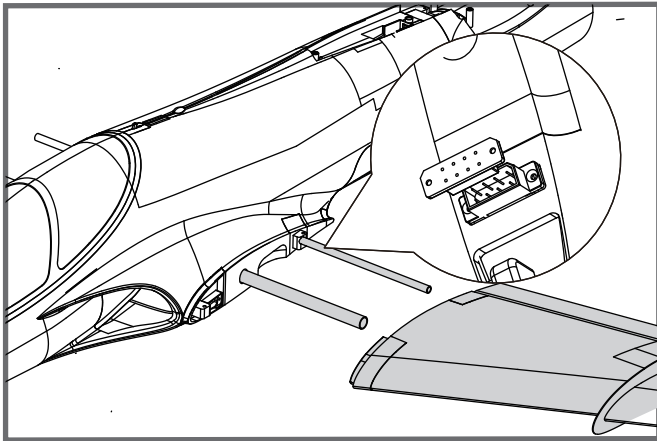
1. 如图所示，将两根主翼对接管装入机身槽位。



2. 安装左右两侧机翼至机身。

注意：确保插牢机翼和机身的对接插头。

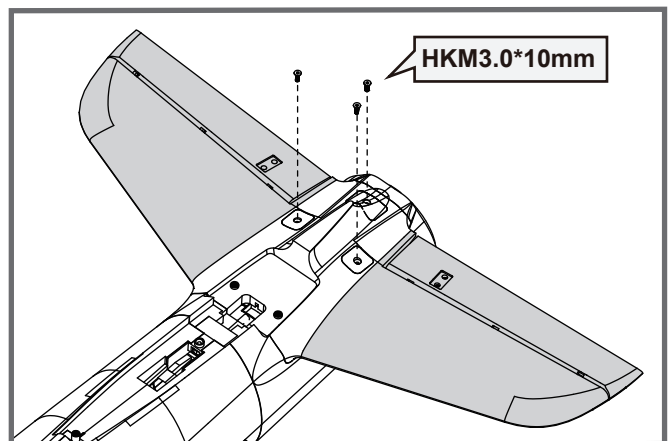
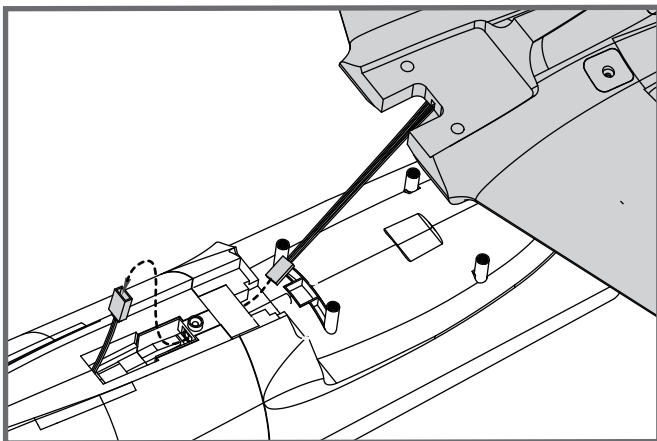
3. 使用所附螺丝 (HKM3.0*10mm x 4) 固定机翼至机身。



平尾安装

1. 打开附件包取出 Y 线，连接左右平尾舵机线至 Y 线，再将 Y 线的另一端从图示胶件的底部穿过，与机身预埋的平尾通道延长线连接。

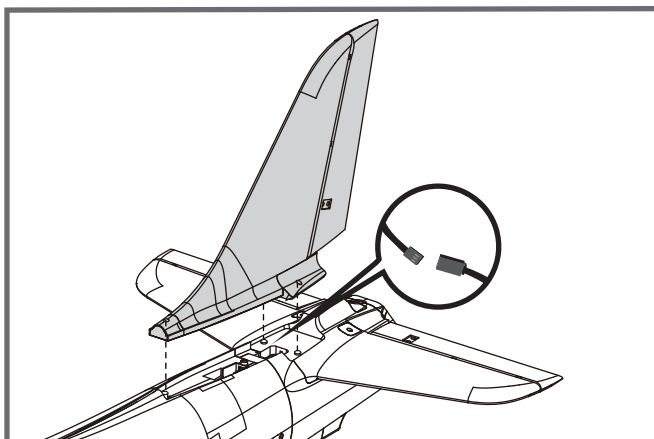
2. 将平尾安装至机身尾部槽位，并使用所附螺丝 (HKM3.0*10mm x 3) 固定。



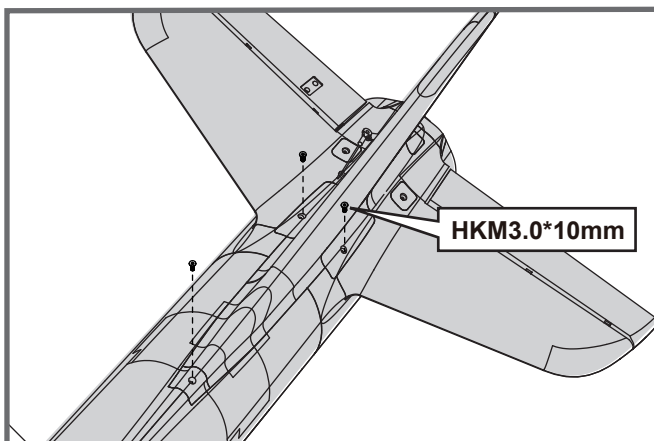
机体安装

垂尾安装

1. 如图所示，连接垂尾舵机线和与机身预埋的舵机延长线，安装垂尾至机身尾部垂尾槽位。

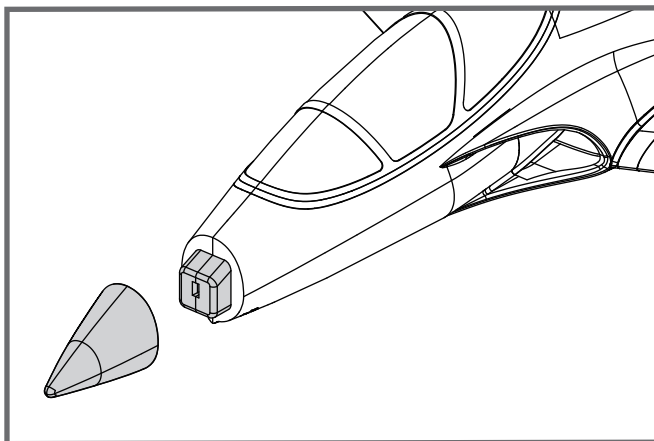


2. 并使用所附螺丝（HKM3.0*10mm x 3）将垂尾固定到位。



机头罩安装

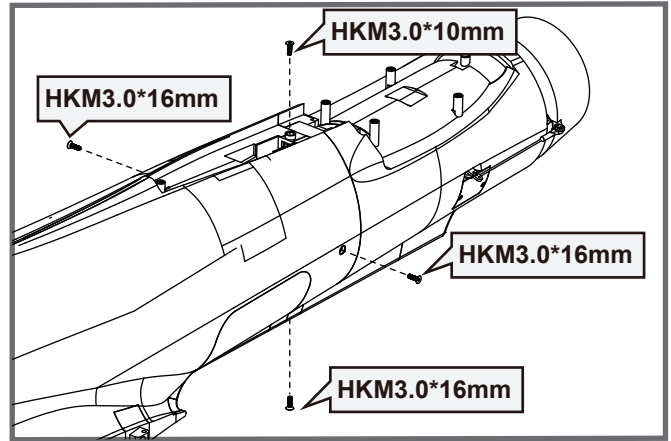
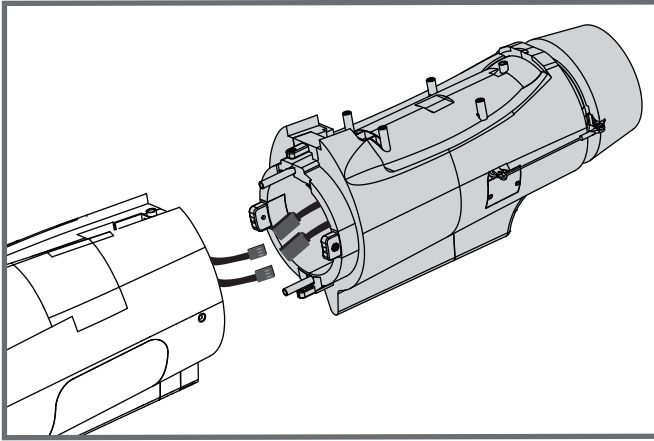
1. 将机头罩安装至机身前端，确保机头罩安装方向正确。



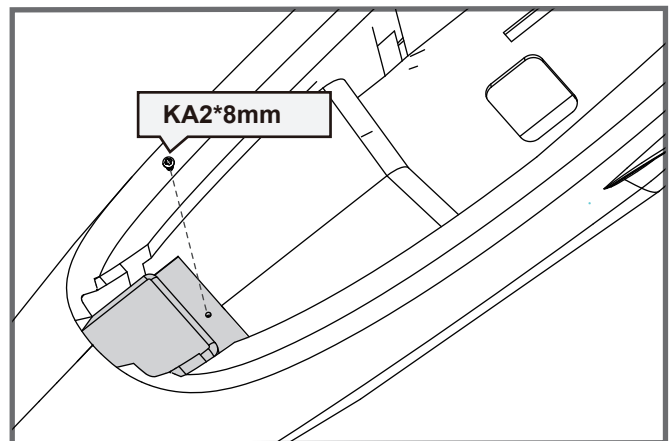
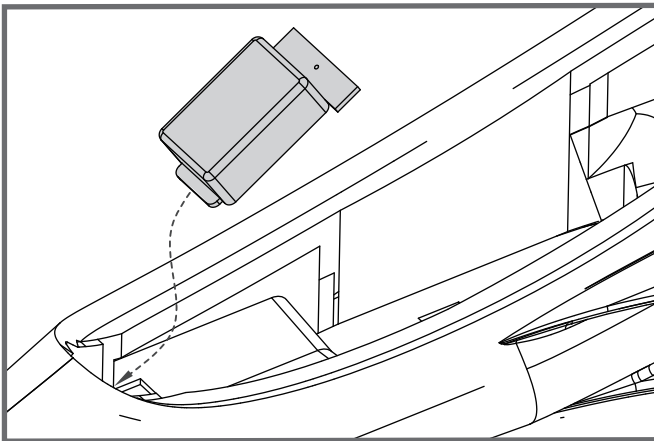
机体安装

矢量尾喷安装(需另购)

1. 打开附件包根据所需取出延长线(如接收机通道数量不够,附件包里另备有两根Y线以供玩家取用),连接矢量舵机线与延长线,然后对准安装前后机身。
2. 使用所附螺丝(HKM3.0*10mm, HKM3.0*16mm)将前后机身固定到位。



3. 打开附件包取出配重块和螺丝,如图示,将配重块推入机头最深处,然后使用所附螺丝(KA2*8mm)固锁到位。

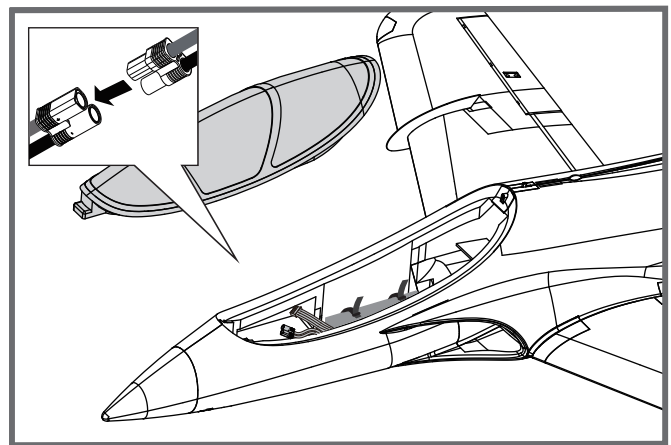


电池安装

1. 移开座舱。
2. 取下电池板上的魔术贴(毛面)贴于电池表面。
3. 如图所示,将电池置于电池舱内,用魔术带绑紧,使有电源线的那端朝向飞机的尾部。

注意: 由于不同电池厂家生产的电池重量有轻微的差异,需要调整电池的前后位置来平衡飞机的重心位置。

电池仓尺寸: 210 x 85 x 65mm



接收机连接示意图

如图所示,以 Futaba 遥控器为例,将副翼舵机信号线插入接收机副翼通道、升降舵舵机信号线插入接收机升降舵通道、方向舵舵机信号线插入接收机方向舵通道、电调信号线插入接收机油门通道。最后将所有连接线整理整齐并固定在电池仓后部的凹槽内,随后固定好接收机。

		Receiver
副翼	1	Channel-1 — Aile
平尾	2	Channel-2 — Elev
油门	3	Channel-3 — Thro
垂尾	4	Channel-4 — Rudd
起落架	5	Channel-5 — Gear
襟翼	6	Channel-6 — Spare

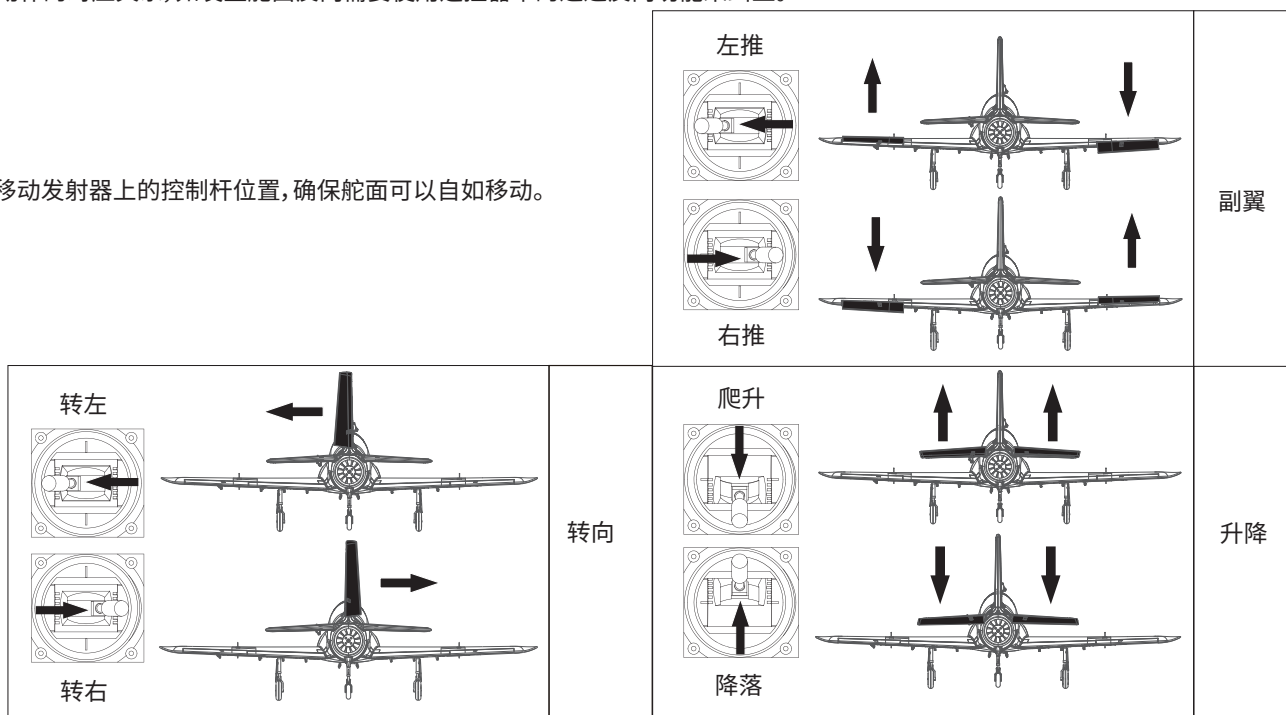
重要信息

1. 此模型附带的电调 (ESC) 具有安全启动功能。如果电机电池已连接到电调,但油门杆不在低油门或关闭位置,则电机将不会启动,直到将油门杆移动到低油门或关闭位置。一旦油门杆移动到低油门或关闭位置,电机将发出一系列蜂鸣声。相同曲调的多个蜂鸣声表示电调已检测到电池的单片节数。蜂鸣声的数量等于电池的单片节数数量。电机现在已经准备就绪,并将在移动油门杆时启动。
2. 电机和电调器已预先连接,并且电机的旋转方向应该是正确的。如果出于任何原因电机旋转方向错误,只需交换电机三根导线中的两根即可更改旋转方向。
3. 电池的选择和安装:我们推荐使用22.2V 5000mAh-6000mAh 45c 电池。如果玩家选购其它电池,我们建议所选电池容量不低于推荐电池。玩家选购的电池在容量、尺寸和重量上需近乎与我们推荐的电池相同,这样在电池装入机身以后才不会对飞机重心产生太大的影响。

遥控器设置

警告:为保证安全,在遥控器参数设置及舵面调整过程中,请务必拆下螺旋桨,以免电机意外启动发生事故。遥控器发射机开机前,确保油门杆在最低位置,其它摇杆在中立位置。开发射机并给接收机通电,随后听到电调初始化音(音符释义见后文“电子调速器说明书”)。观察所有舵面是否回中,如果没有回中,尽量通过调整舵机摇臂角度、连杆长度的方式来使舵面回中,若调整长度在安全范围内仍未回中,则使用遥控器通道微调或者菜单中的“SubTrim”选项来使舵面归中。如下图所示观察摇杆动作与舵面动作的对应关系,如发生舵面反向需要使用遥控器中的通道反向功能来纠正。

1. 移动发射器上的控制杆位置,确保舵面可以自如移动。



遥控器设置

推荐舵面行程

温馨提示:首飞建议用小舵面行程

	大	小
升降舵	14mm 上/下	10mm 上/下
副翼舵	16mm 上/下	12mm 上/下
方向舵	22mm 左/右	16mm 左/右
襟翼	50mm 上/下	40mm 上/下

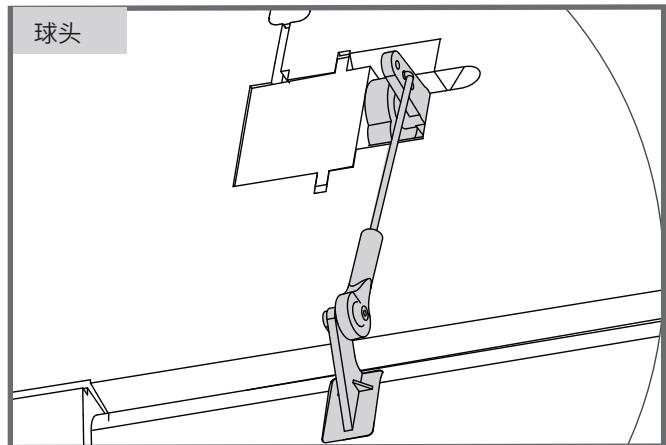
舵角和舵机摇臂安装

图示是舵角和舵面摇臂的出厂设置。首飞建议用出厂设置的舵角飞行。首飞后,可按图调整舵角。

	舵角	摇臂	大舵面
平尾			
垂尾			小舵面
副翼			
襟翼			

连接钢丝安装

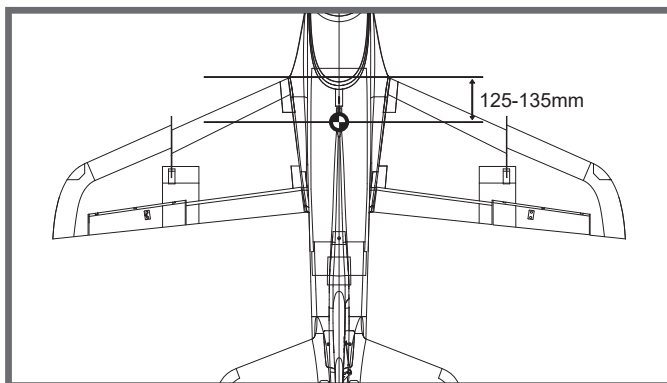
在安装主翼、平尾、垂尾之前需先安装副翼、襟翼、升降舵、方向舵的连接杆。具体步骤如下:保持舵机在回中状态,将副翼、襟翼、升降舵、方向舵舵面的连接钢丝有“Z”型折弯的一头由外侧装入相应的舵机摇臂孔位(请参考“舵角和舵机摇臂安装”相关步骤)再将钢丝另一端的球头扣安装到各舵角相应的球头上。



重心调整

通过移动电池在电池舱内的前后位置调整飞机的重心,使飞机保持水平或稍微头重的状态。首飞以后,重心位置可以根据你自己的飞行偏好再做更改。

- 1.如图所示,推荐重心位置是机翼前缘往后 125-135mm处(安装电池以后)。推荐把食指放在机翼下面的重心位置来帮助调整重心。
- 2.在调整飞机重心的时候请确定飞机处于组装完毕待飞的状态。



飞行前准备

起飞前的检查

每次飞行前须做严格的地面检查,可有效避免飞行事故的发生。

1. 检查全机螺丝是否安装到位、舵角摇臂连接可靠。机翼快拆装置已锁紧。
2. 安装电池,并调整飞机重心到说明书推荐位置。
3. 动力电池、遥控器发射机电池等已充满电,处于可靠工作状态。
4. 发射机油门杆保持在最低位(推荐使用带有油门锁定功能的遥控设备),打开发射机,随后连接动力电池,待电调初始化完成后检查各个舵面是否回中,是否动作正确。
5. 轻推油门观察螺旋桨转向是否正确。

所有检查完成后,方可进行飞行,初学者首次飞行需要有经验的爱好者协助完成,避免因操作不当发生飞行事故。

合适的飞行场地

航模飞行须远离人群、建筑物、树木、高压线及禁飞区的空旷场地(至少 2-3 个足球场大小)。初学者飞行前需要向有经验的爱好者询问相关安全事宜。

关于飞行时间

厂家推荐的飞行时间是使用厂家推荐型号的电池,由有经验的爱好者在微风天完成飞行测试得到的飞行时间,该时间与电池参数、飞机全备重量、飞行条件以及飞行手法相关,不同飞行条件可能得到不同的飞行时间。

建议爱好者在飞行时使用遥控器的“计时功能”,建议初始飞行时间设定为 4 分钟,飞行时间倒计时告警后,降落飞机并测量电池电压,方可估算飞行时间并重新调整遥控器计时。如发射机没有计时功能,需要其他设备辅助测算飞行时间,以保证飞行安全。

在电池放电后期,禁止将飞机飞入下风区(风向指向的远端),防止动力不足而导致飞机不能安全返航。

故障检修指导

问题	问题原因	解决方式
油门推杆无响应,但舵机有响应	——电调未连接电机 ——油门通道反向	——降低油门推杆和油门微调设定 ——反过来重新装油门通道
桨的噪音过大或者震动过大	——桨罩、桨、电机、电机架坏了 ——桨或者桨罩的小部件松动了 ——桨装反了	——更换损坏的配件 ——把桨、桨夹和桨罩的小部件拧紧 ——反过来重新装桨
飞行时间变短,飞机无力	——电池电量低 ——桨装反了 ——电池坏了	——重新给电池充电 ——依照电池说明书更换新的电池
飞舵面不动,或者动作响应较慢	——舵面、舵角、连接杆、舵机坏了 ——连接线坏了或者接头松了	——更换或者维修坏了的配件 ——检查所有连接线,确保所有接头无松动现象
舵面反向	——遥控器发射机通道反向	——检查通道控制(舵面)方向,调试飞机舵面和遥控器的舵面控制杆
电机无力	——电机或电池坏了 ——电调用了不合适的低压保护装置	——检查电池、发射机、接收机、电调、电机是否有损坏(如有,请及时更换) ——立刻操控飞机降落,重新给电池充电
接收器的LED灯慢闪	——接收器低电量	——检查电调和接收器之间的连接 ——检查舵机是否受损 ——检查连接杆是否安装到位

配件列表

FMSEV101	机身	PRESC037	120A ESC
FMSEV102	机翼	PRSER003	捕食者13g 金属数码正向舵机300mm线长
FMSEV103	矢量后机身	PRSER004	捕食者13g 金属数码正向舵机460mm线长
FMSEV104	垂尾	PRSER006	捕食者13g 金属数码正向舵机700mm线长
FMSEV105	平尾	PRSER005	捕食者13g 金属数码反向舵机460mm线长
FMSEV106	座舱组	FMSCON021	新排插21
FMSEV107	主起落架盖板	FMSREX033	电子收放(用于前起落架)
FMSEV108	连接杆	FMSREX027	电子收放(用于主起落架)
FMSEV109	LED灯组		
FMSEV110	LED灯罩		
FMSEV111	轮胎		
FMSEV112	对接管		
FMSEV113	前起落架组		
FMSEV114	主起落架组		
FMSEV115	前起落架系统		
FMSEV116	主起落架系统		
FMSEV117	贴纸		
FMSEV118	螺丝组		
FMSEV119	机头罩		
FMSDFX005	12叶90涵道		
PRKVX1950	3670-KV1950		

电调使用说明

产品规格

型号	持续电流	瞬时电流	输入电压	BEC	重量	尺寸
FLYFUN 120A V5	120A	150A	3-8节锂电池	开关稳压BEC,5.2V/6V/7.4V 三档可调: 输出电力持续8A, 瞬间20A	93g	77*35*19mm

使用向导

注意:电调的油门行程出厂默认值为1100 μ s—1940 μ s (Futaba标准),当首次使用电调或者更换其他遥控器使用时,均应重新设定油门行程。

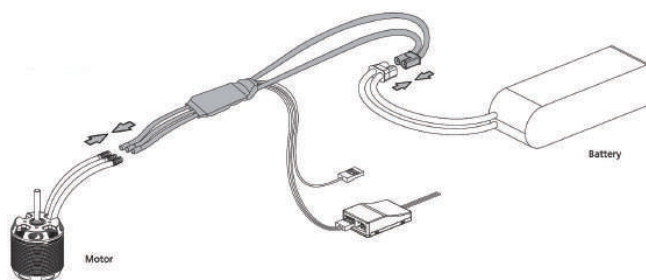
一、接线示意图:

信号线说明:

油门信号线(白、红、黑):插入接收机油门通道或飞控油门通道,其中白线用于传送油门信号,而红线和黑线为BEC的输出线。

反推刹车信号线(黄):使用反转刹车时,必须将该信号线接入到遥控器的其他空闲通道上,使用该通道来控制反转刹车功能的开启与关闭。

编程线(黄):连接LED编程设置盒进行参数设置。



二、油门行程校准操作方法:

- 1.开启遥控器,将油门打到最高点;
- 2.电调接上电池,马达鸣叫“♪123”提示音,表示上电正常
- 3.随后马达发出“哔-哔-”双短鸣音,表示油门最高点校准成功
- 4.5秒钟之内将油门摇杆推到最低,等待1秒,油门最低点校准成功
- 5.马达发出N声短鸣音“哔-”,表示锂电节数
- 6.马达发出一声长鸣音“哔——”,表示系统准备就绪,可随时起飞

三、正常开机过程:

- 1.开启遥控器,将油门摇杆打到最低点
- 2.电调接上电池,鸣叫“♪123”提示音,表示上电正常
- 3.马达发出N声短鸣音“哔-”,表示锂电节数
- 4.马达发出一声长鸣音“哔——”,表示系统准备就绪,随时可以起飞

参数设定方法

电调参数设定方法有两种:

一、通过LED参数设定盒进行参数设定(详见LED参数设定盒说明书):

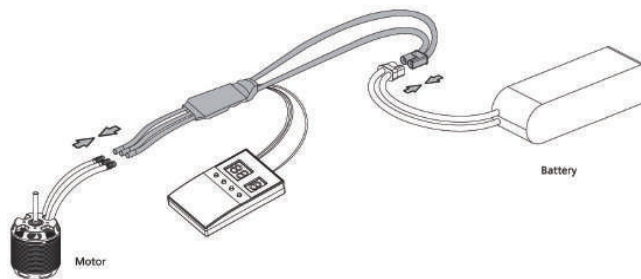
1.接线示意图:

- 1) 将电调编程线(黄色)连接至LED参数设定盒编程线接口。
- 2) 电调上电(已通电的需断开电源重新上电),电调进入参数设置模式,读取、设定电调参数。

注意:在将黄色信号线插入LED参数设定盒编程线接口的同时,也需要将油门信号线插入LED参数设定盒供电口,否则将无法设定电调参数。

2.参数设定方法:

- 1) 电调和LED参数设置盒连接后,给电调接上电源,数秒后该电调的各项参数即可显示出来。
- 2) 选择LED参数设置盒上的“ITEM”键可选择编程项目;
- 3) 选择“VALUE”按键设置该编程项目下的参数值;
- 4) 按“OK”键保存新参数到电调内部。



注意:更改任意参数设定值后,电调均需重新上电,新的参数设定值才可生效。

二、通过遥控器进行参数设定:

- 1.参数设定方法:使用遥控器油门摇杆设定参数分为四个步骤:
进入编程→选择参数项目→选择该参数项目下的参数值→退出

电调使用说明

一、进入编程模式：

开启遥控器，将油门打到最高，电调接上电池，等待2秒，鸣叫“哔-哔-”提示音，再等待5秒，会鸣叫“ ”特殊提示音，表示已经进入编程模式。

二、选择参数项目：

进入编程设定后，会听到12种鸣叫声，按如下顺序循环鸣叫，在鸣叫某个提示音后，3秒内将油门打到最低，则进入该设定项。

1.“哔”	刹车类型	(1短音)	7.“哔——哔-哔-”	进角	(1长2短音)
2.“哔-哔-”	刹车力度	(2短音)	8.“哔——哔-哔-哔-”	同步整流	(1长3短音)
3.“哔-哔-哔-”	低压保护模式	(3短音)	9.“哔——哔-哔-哔-哔-”	寻机模式	(1长4短音)
4.“哔-哔-哔-哔-”	锂电池节数	(4短音)	10.“哔——哔——”	回复出厂默认值	(2长音)
5.“哔——”	低压保护阈值	(1长音)	11.“哔——哔——哔-”	退出	(2长1短音)
6.“哔——哔-”	启动模式	(1长1短音)			

注：一长音“哔——”相当于5声短音“哔-”，所以在第二步“选择设定项”中，一长一短“哔——哔-”表示第6选项。

三、选择参数值：

马达会循环鸣叫，在鸣叫某个提示音后将油门摇杆打到最高点，则选择该提示音所对应的参数值，接着鸣叫特殊提示音“ ”，表示该参数值已被保存。退回第二步选择参数项目，再选择其它参数项目。

参数项目	参数值提示音				
	“哔-” 1声	“哔-哔-” 2声	“哔-哔-哔-” 3声	“哔-哔-哔-哔-” 4声	“哔--” 5声
刹车类型	无刹车	普通刹车	*反推刹车	线性反推刹车	
刹车力度	*低	中	高		
低压保护方式	*软关断	硬关断			
锂电节数	*自动计算	3节	4节	5节	6节
低压保护阈值	关闭	低	*中	高	
启动模式	*普通	柔和	超柔和		
进角	低	*中	高		
同步整流	*开	关			
寻机模式	*关	5分钟	10分钟		

带*的为出厂默认时的设置；

四、退出设定

当电机鸣叫出11.“哔——哔——哔-”（即第11个设定项）2长1短音后，3秒内将油门打到最低点，则退出设定。马达发出N声短鸣音“哔-”，表示锂电节数，随后马达发出一声长鸣音“哔——”，表示系统准备就绪。

可编程参数

可编程参数说明：

1.刹车类型：

1) 普通刹车：油门归零以后，触发刹车，刹车力度为设定的刹车力度；

2) 反推刹车：开启反推刹车功能后，须将反推刹车信号线（信号范围和油门行程一致）插入到接收机的一个空闲通道上，通过该通道控制电机正反转，通道行程0-50%为电机默认设置转向，通道行程50%-100%触发电机反转。初次上电该通道摇杆所处位置建议为该通道行程0-50%范围内（最好为0），否则有可能会出现推动油门后电机先正转后反转得情况。触发反转时，电机先刹停，再反转加速至油门摇杆输出的油门量。

3) 线性反推刹车：开启此功能以后，须将反推刹车信号线插入到接收机的一个空闲通道上，该通道需设置为线性开关（一般为遥控器上的旋钮），推动该线性开关启动油门反推。启动时反推油门大小为10%，此后反推油门大小由该线性开关控制。线性反推刹车油门行程固化为1.34-1.79ms。电调上电时改通道需和油门通道一样保持在0%油门位置。该通道和油门通道中任何一个丢失信号，均会触发油门信号丢失保护。

电调使用说明

2.刹车力度:设置的刹车力度越大,螺旋桨由旋转到停止的时间越短;该功能仅在普通刹车模式下有效,其中低/中/高分别对应刹车力度:60%/90%/100%。

3.低压保护模式:

软关断:触发低压保护后输出功率将逐渐降低为总功率的60%;

硬关断:立即断开输出。

4.锂电节数:选择自动计算,将按单节电池3.7V计算电池节数,也可手动设置电池节数。

5.低压保护阈值:

设置关闭则低电压保护功能关闭,另外低/中/高三种模式对应的低电压保护功能的保护电压值为约2.8V/节 / 3.0V/节和3.4V/节;该值为单节电池的电压,与电子调速器自动识别的锂电节数或手动设置的锂电节数相乘,即为电池的保护电压值。(例:3节锂电池,低压保护阈值为中,则电池的保护电压为:3×3.0=9.0V)

6.启动模式:

普通:推动油门摇杆以后电机会立即启动并快速达到相应的油门值(加速率为200ms);

柔和:推动油门摇杆以后电机会先缓慢启动然后再快速达到相应的油门值(加速率为500ms);

超柔和:推动油门摇杆以后电机会先缓慢启动然后再快速达到相应的油门值(加速率为800ms);

7.进角:可以调节驱动电机的进角值。其中低中高分别为:5°/15°/25°。

8.同步整流:固定为开启,开启同步整流将带来更好的油门线性。

9.寻机模式:开启以后,油门为0%的情况下,持续保持至设定的时间后,电调将驱动电机鸣叫。

故障及保护功能说明

一、故障处理:

故障描述	提示音	说明	解决方法
电调通电以后不工作,鸣叫报警	“哔哔,哔哔,哔哔,……”	输入的电压不在电调的工作电压之内。	调节通电电压至电调的工作电压范围内。
电调通电以后不工作,鸣叫报警	“哔,-,哔,-,哔,-,……”	油门信号丢失。	接入油门信号。
电调通电以后不工作,鸣叫报警	“哔,哔,哔,……”	油门摇杆没有归零。	油门摇杆归零,进行油门行程校准。
进行油门行程校准后,电调不工作,鸣叫报警	“哔,哔,哔,……”	所设定油门总行程过窄(电调设计时,要求油门总行程不得小于三格油门),本次行程设定无效。	重新进行油门行程校准
飞行过程中电调输出功率突然下降至60%,停止飞行后不断电情况下,鸣叫报警	“哔哔,哔哔,哔哔,……”	触发电调温度保护。	改善散热;降低电调负载。
飞行过程中电调输出功率突然下降至60%,停止飞行后不断电情况下,鸣叫报警	“哔哔哔,哔哔哔,哔哔哔,……”	触发电调低压保护。	更换电池;降低低压保护阈值。

电调使用说明

二、保护功能说明：

1.启动保护：

启动过程中,电调会检测电机转速,当转速出现停止上升或者转速提升不稳定的情况,则判断启动失败,若此时油门小于15%,电调会自动尝试重新启动;若此时油门大于20%,需将油门归零后重新启动。(出现这种情况的原因可能有:电调和马达连线接触不良或有个别输出线断开、螺旋桨被其他物体阻挡、减速齿卡死等)

2.油门信号丢失保护：

当电调检测到油门遥控信号丢失0.25秒以上即立即关闭输出,以免因螺旋桨继续高速转动而造成更大的损失。信号恢复后,电调也随即恢复相应的功率输出。

3.堵转保护:当负载突然变得极大时,电调会切断动力并自动重启动。(出现负载急剧增大的原因通常是螺旋桨堵转)

4.温度保护:当电调工作温度超过 120 摄氏度时,电调会逐渐降低输出功率进行保护,但不会将输出功率全部关闭,最多只降到全功率的60%,以保证马达仍有动力,避免因动力不足而摔机。油门归零以后,电调会驱动电机鸣叫报警提示。

5.低压保护:当电池电压降低至电调低压保护阈值设定的电压以下时,电调会逐渐降低输出功率进行保护,但不会将输出功率全部关闭,最多只降到全功率的60%,以保证马达仍有动力,避免因动力不足而摔机。油门归零以后,电调会驱动电机鸣叫报警提示。

6.上电电压异常保护:当接入的电池电压不在电调支持的输入电压范围内时,会触发电调接入电压异常保护,电调会驱动电机鸣叫报警提示。

Foshan Zhengze Model Technology Co., Ltd.

Tel:+86-0757-26330080

E-mail:support@fmsmodel.com

Add: Unit A, Building 6, Jicheng Science and Technology Innovation Park,
Shunde, Foshan City, Guangdong Province, 528306

佛山市正泽模型科技有限公司

电话:86-0757-26330080

邮箱:support@fmsmodel.com

地址及电话:广东省佛山市顺德区北滘镇顺江社区三乐东路25号集成科创园 6栋

中国代理

车模

酷乐派模型 KLP Racing

蓝飞驰模型

老顽童模型

顶尖遥控模型

苏乐快捷模型

意帆模型 Well Model

航模

苏州雷飞航模车模

擎天模型

神鹰模型

mymtt的新店

天天向上模型

新动模型

